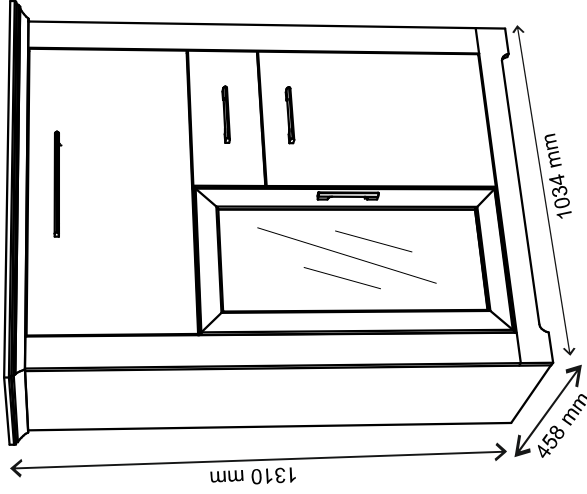
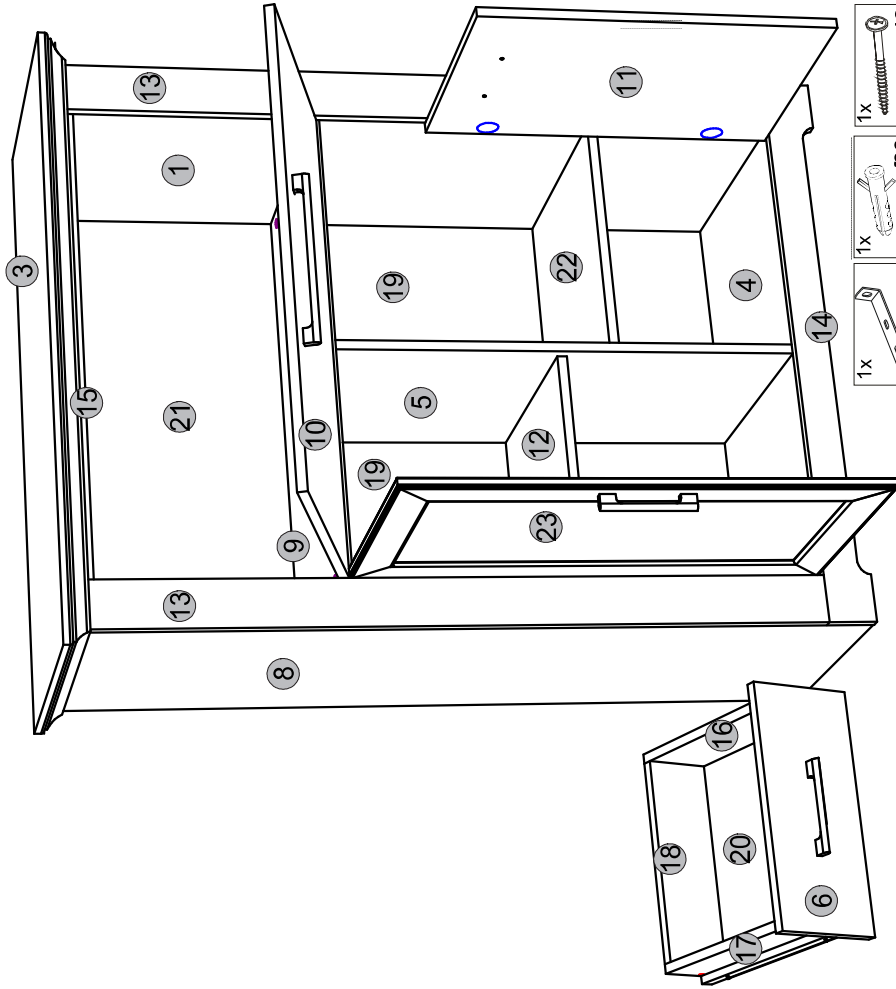
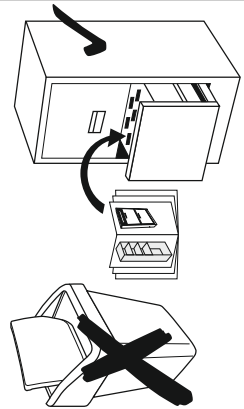
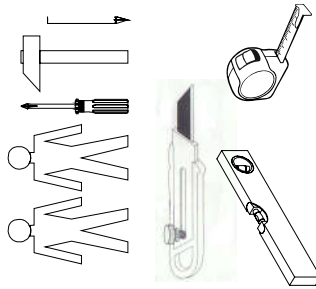
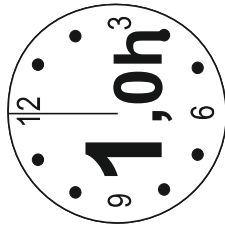
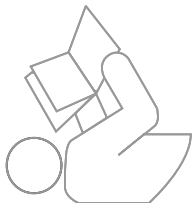


Instalation manual

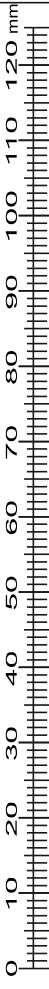
ARSAL: BAR 1D1W1B1S



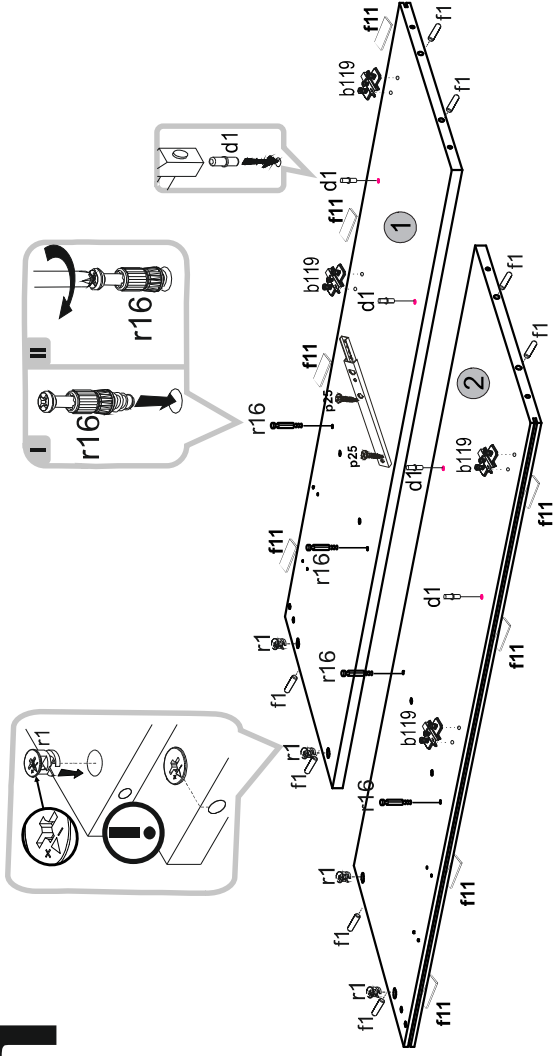
Element symbol	Dimensions	Code	Package
1	401	BAR_1W1D1B1S.004	1/1
2	1209	BAR_1W1D1B1S.005	1/1
3	1209	BAR_1W1D1B1S.006	2/2
4	1034	BAR_1W1D1B1S.007	2/2
5	926	BAR_1W1D1B1S.008	2/2
6	765	BAR_1W1D1B1S.009	2/2
7	396	BAR_1W1D1B1S.010	2/2
8	1289	BAR_1W1D1B1S.011	1/1
9	1289	BAR_1W1D1B1S.012	1/1
10	802	BAR_1W1D1B1S.013	1/1
11	794	BAR_1W1D1B1S.014	2/2
12	585	BAR_1W1D1B1S.015	2/2
13	393	BAR_1W1D1B1S.016	2/2
14	1209	BAR_1W1D1B1S.017	1/1
15	960	BAR_1W1D1B1S.018	1/1
16	802	BAR_1W1D1B1S.019	1/1
17	350	BAR_1W1D1B1S.020	2/2
18	350	BAR_1W1D1B1S.021	2/2
19	335	BAR_1W1D1B1S.022	2/2
20	788	BAR_1W1D1B1S.001	2/2
21	353	BAR_1W1D1B1S.018	2/2
22	445	BAR_1W1D1B1S.035	2/2
23	393	BAR_1W1D1B1S.012	1/1
	768	BAR_1W1D1B1S.W1	3/3

1x y1
3x n221.01
1x m1P
1x 2m1L
1x z1
5x p52
4x k1
12x f11
4x a143
1x p12
1x L-350
60x i1
8x s1
8x j8
1x n14
72x p28
72x p25
8x d1
16x s2
8x e1
3x 2419/128
1x 2419/256

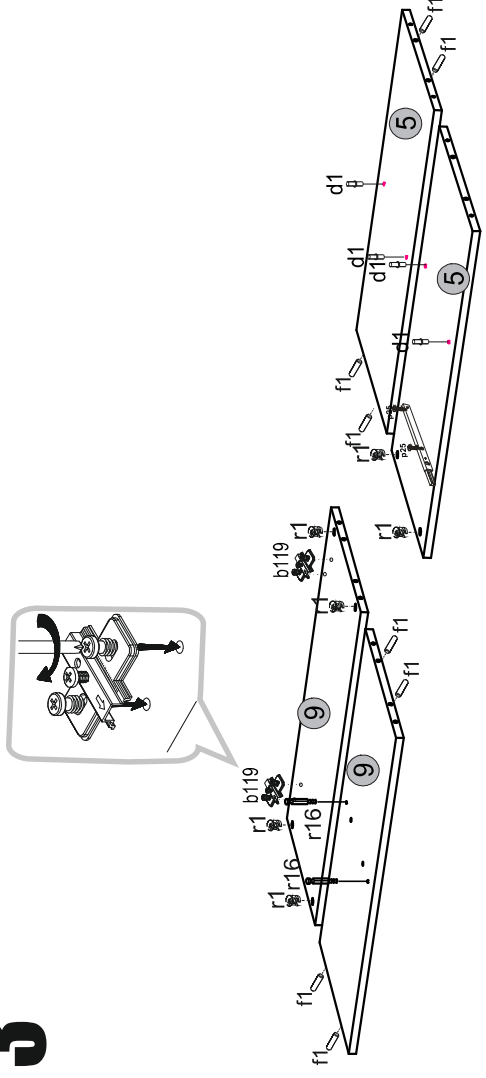
2x a145
6x b119
16x r1
16x r16



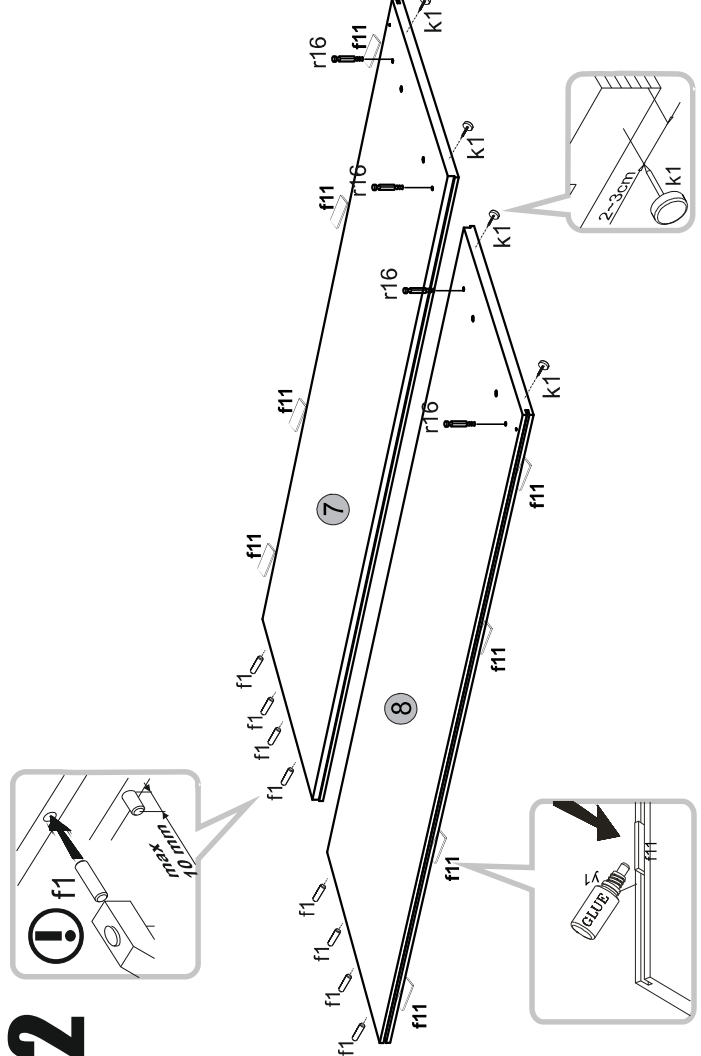
1



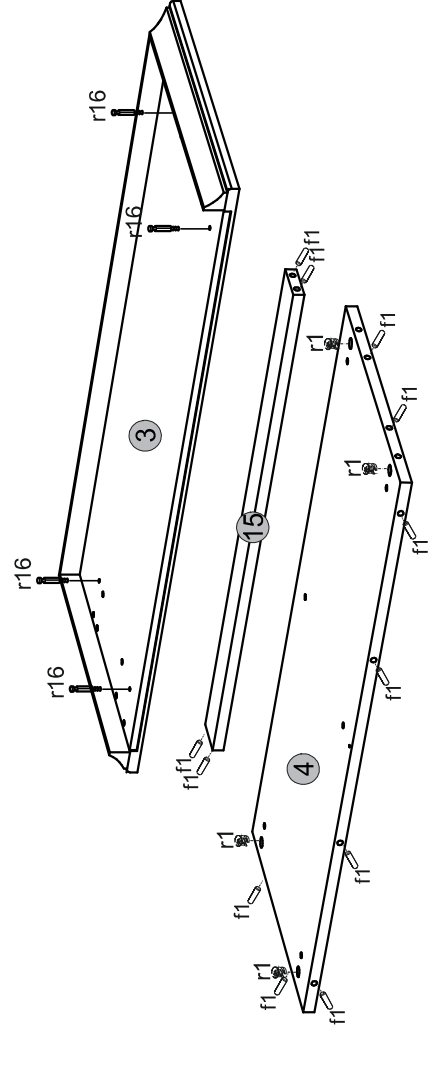
3



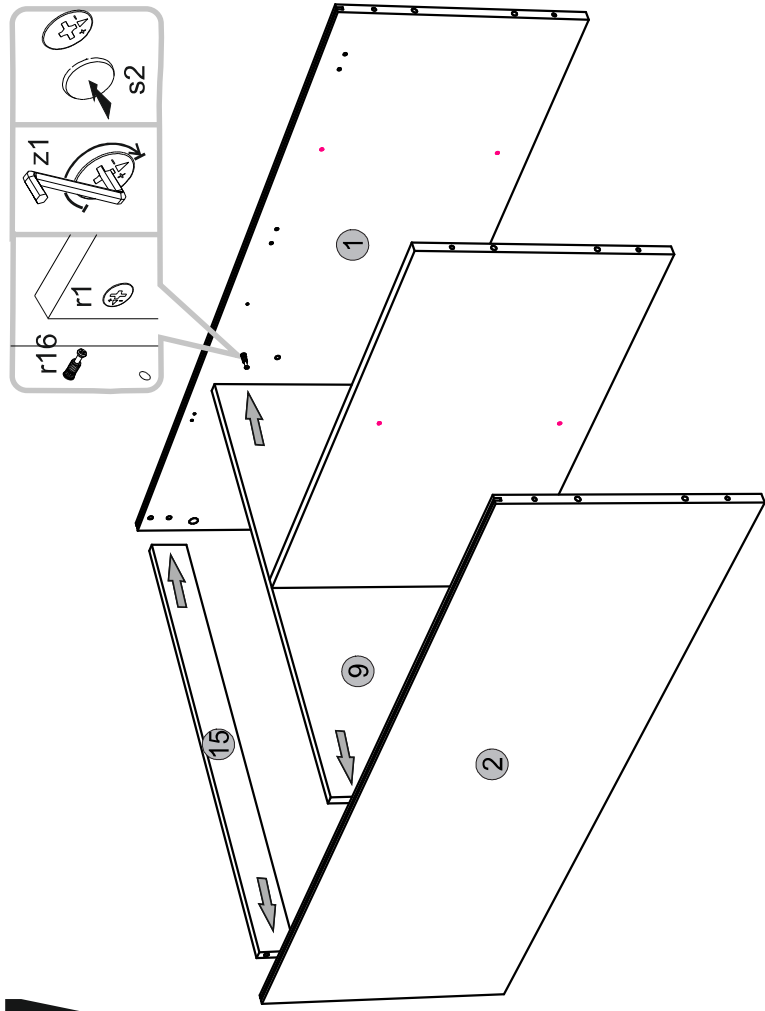
2



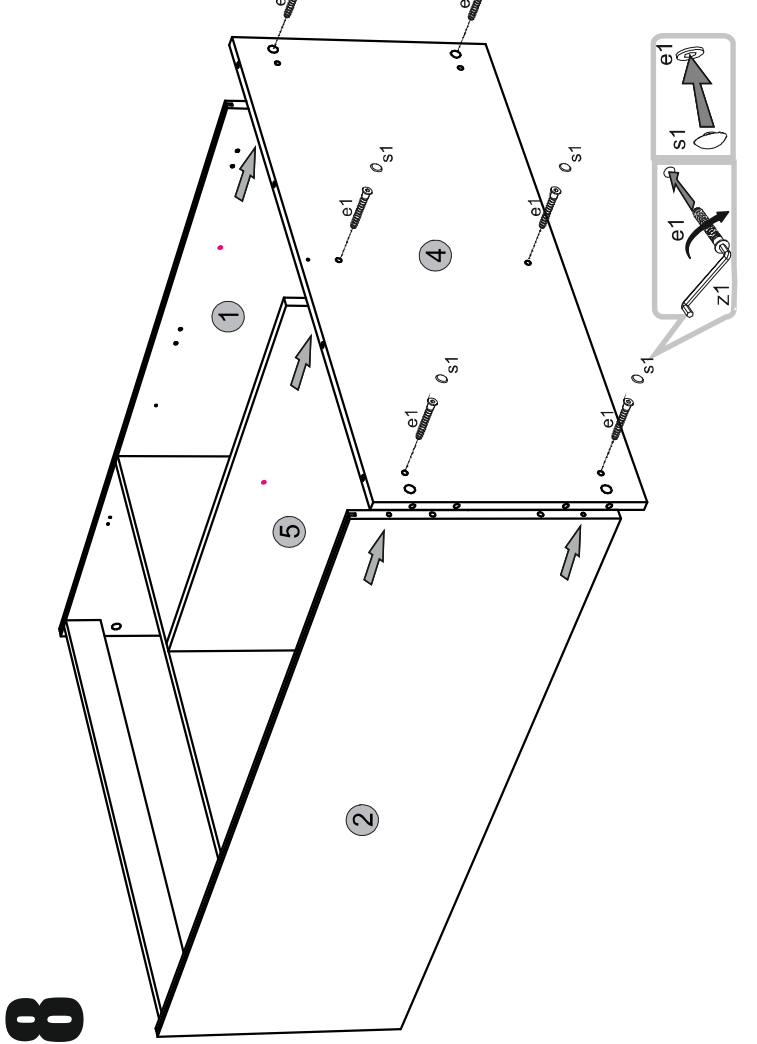
4



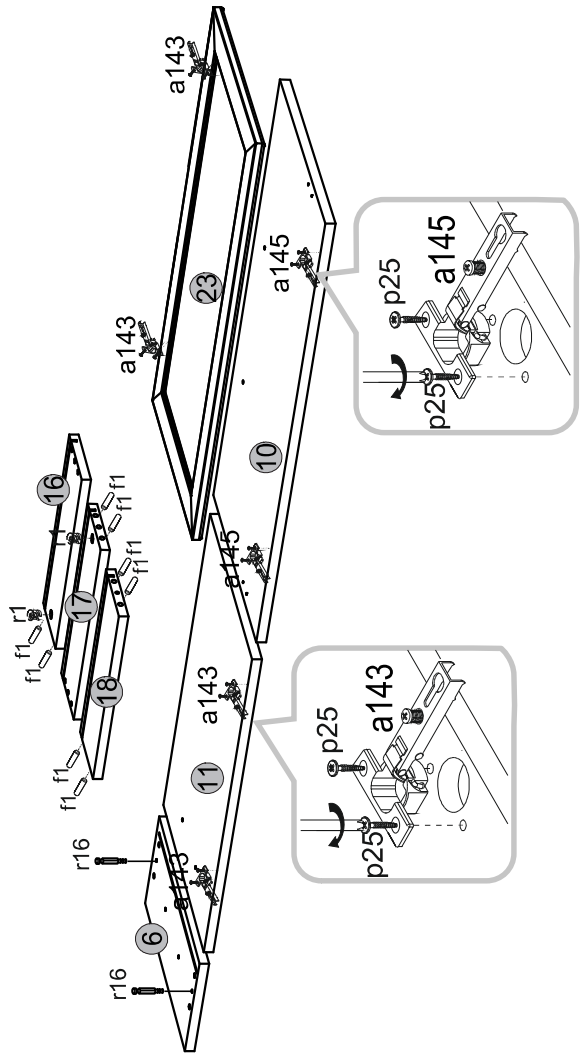
7



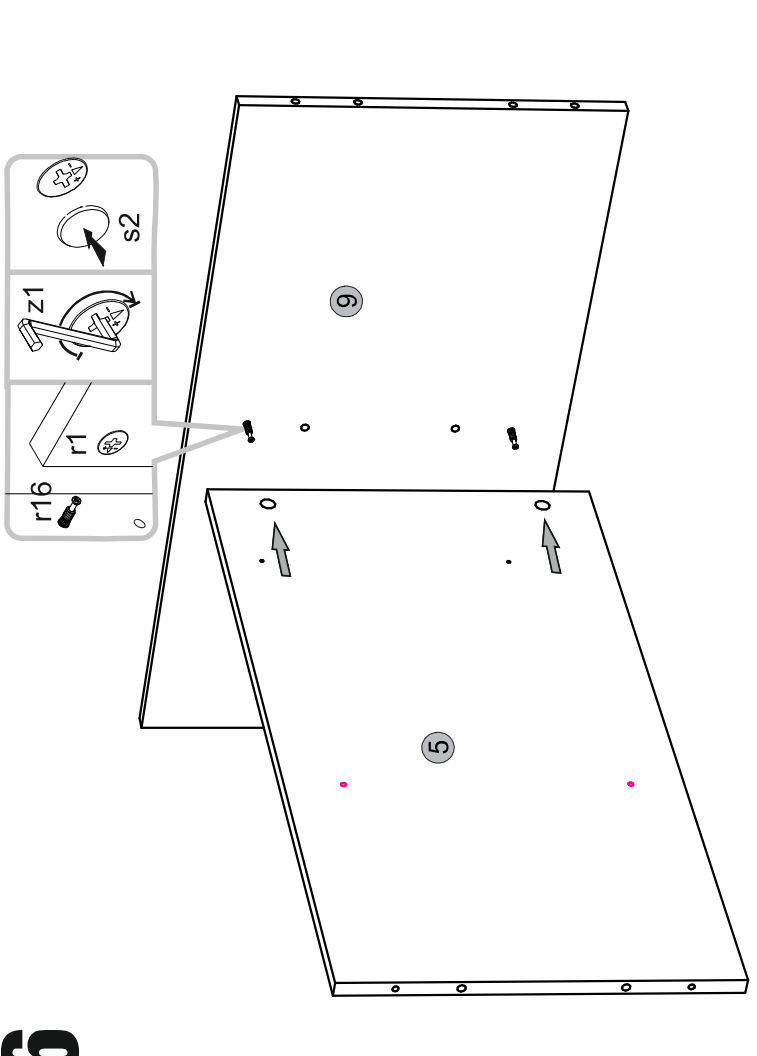
8



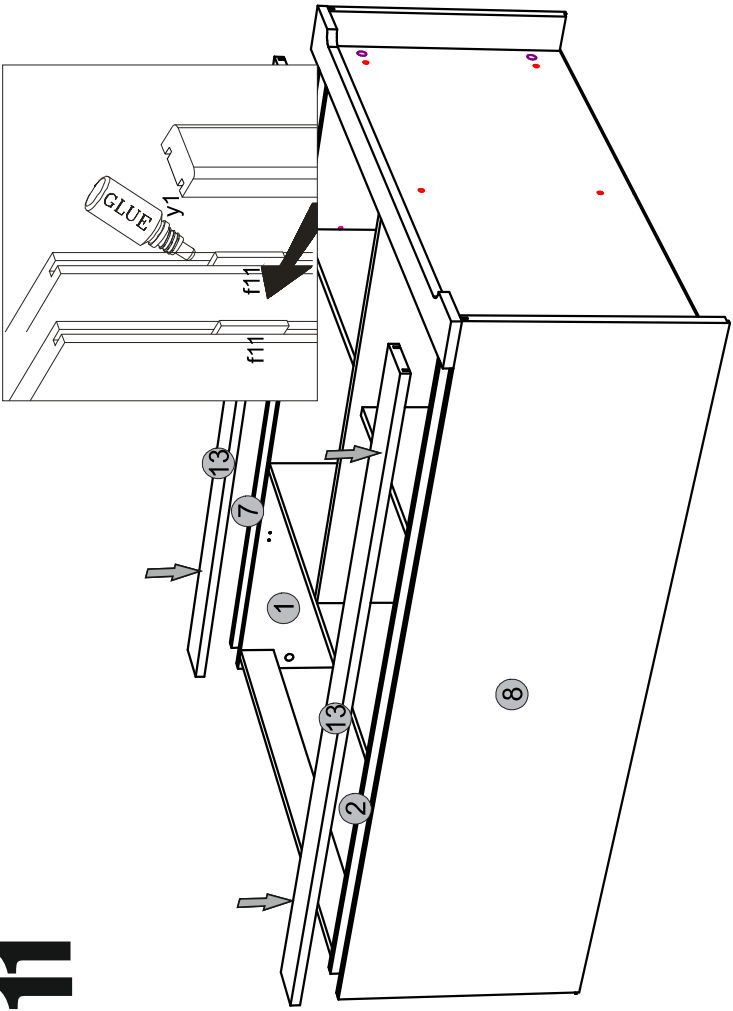
5



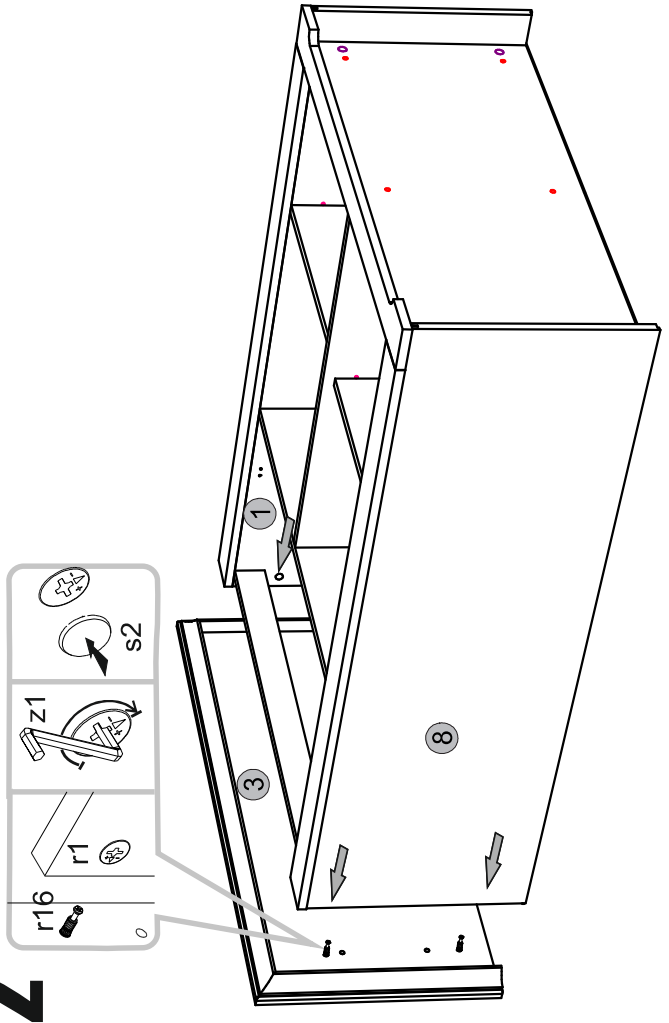
6



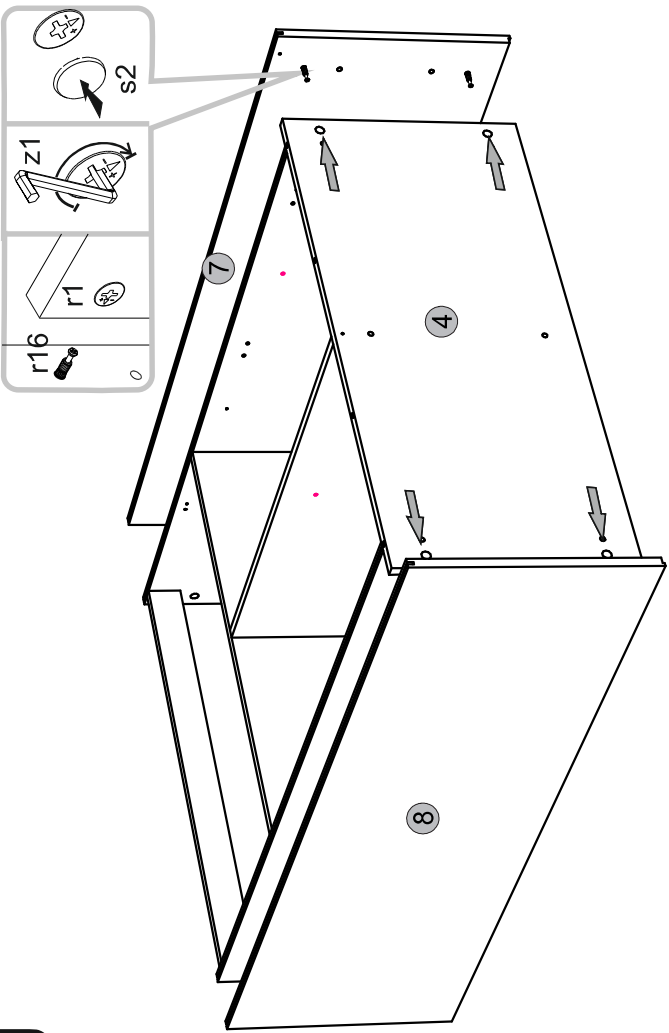
11



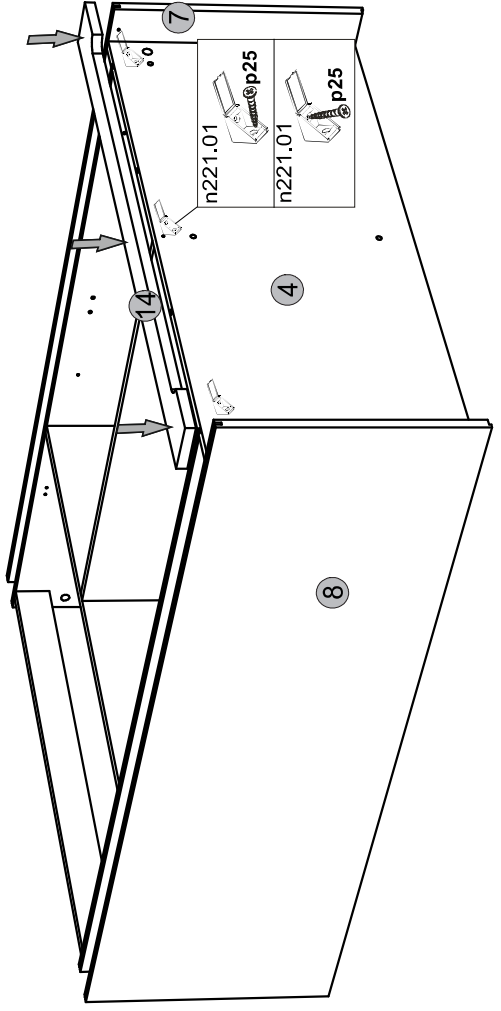
12



9

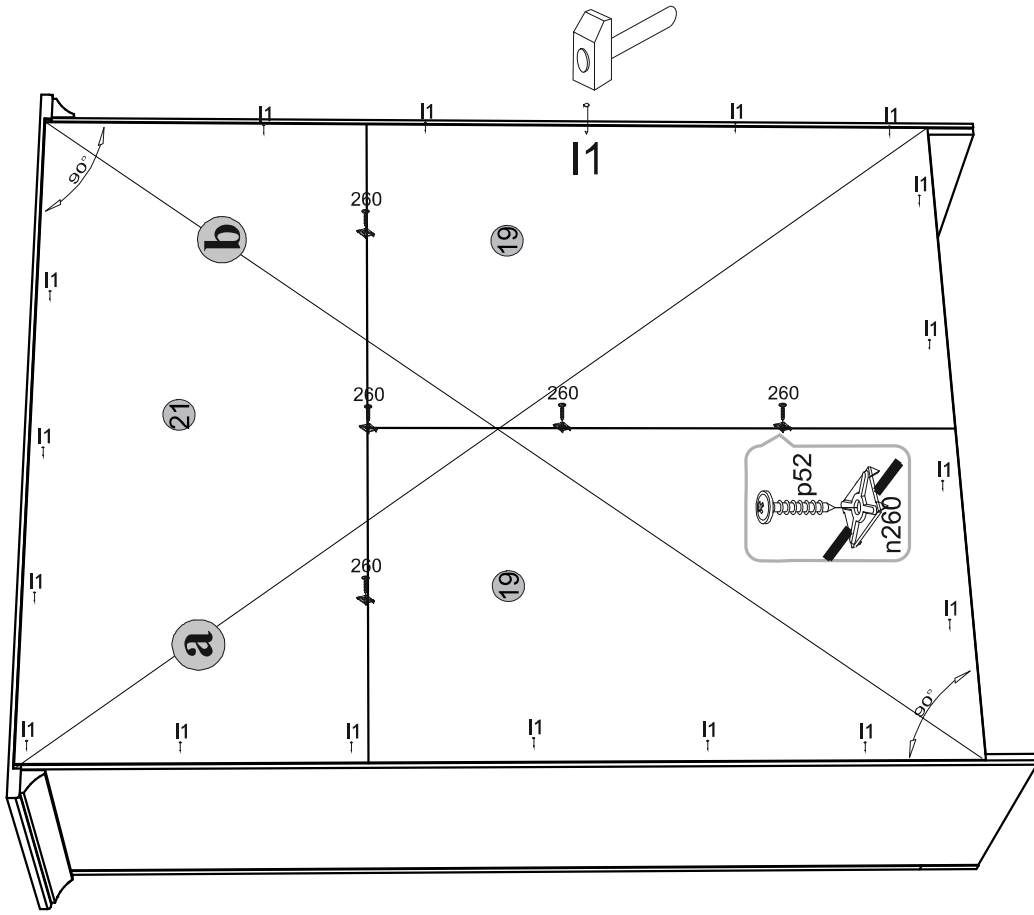


10



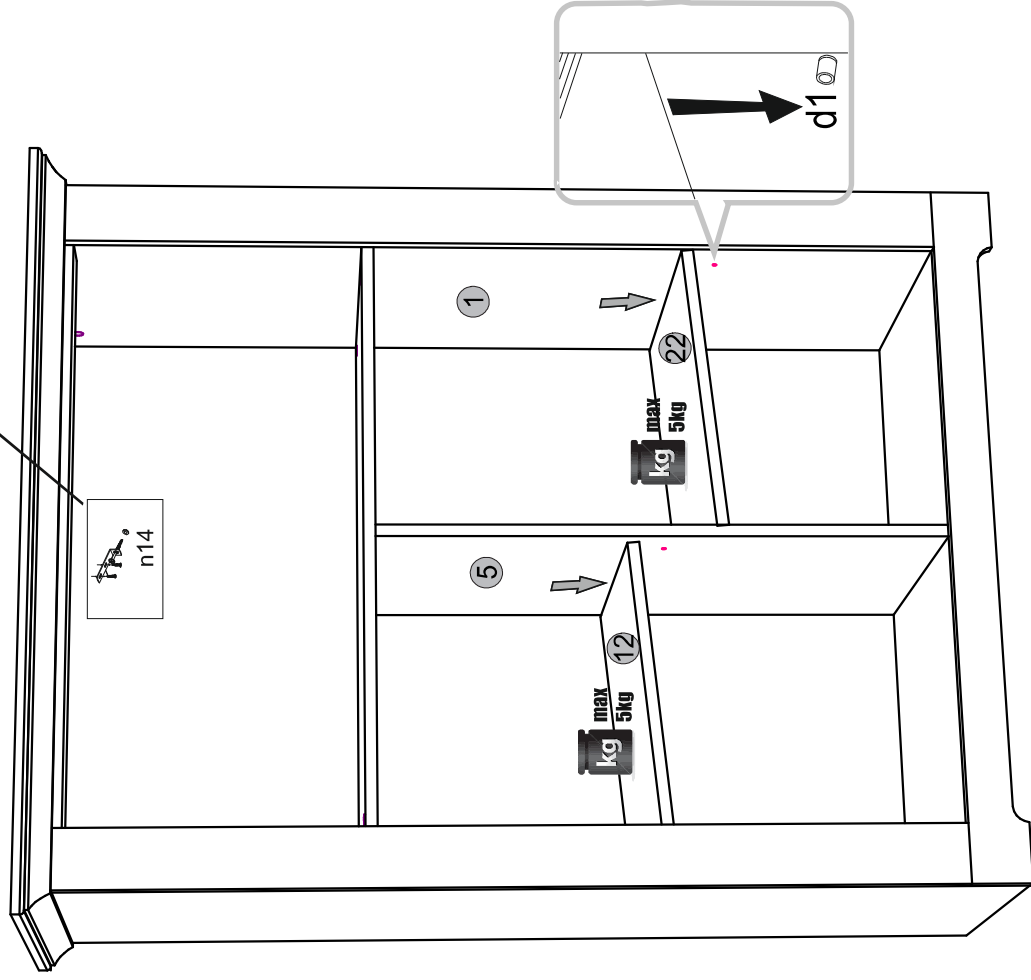
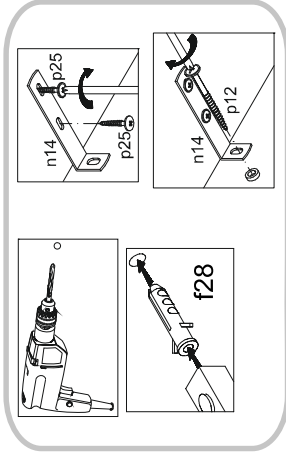
13

! $a=b$

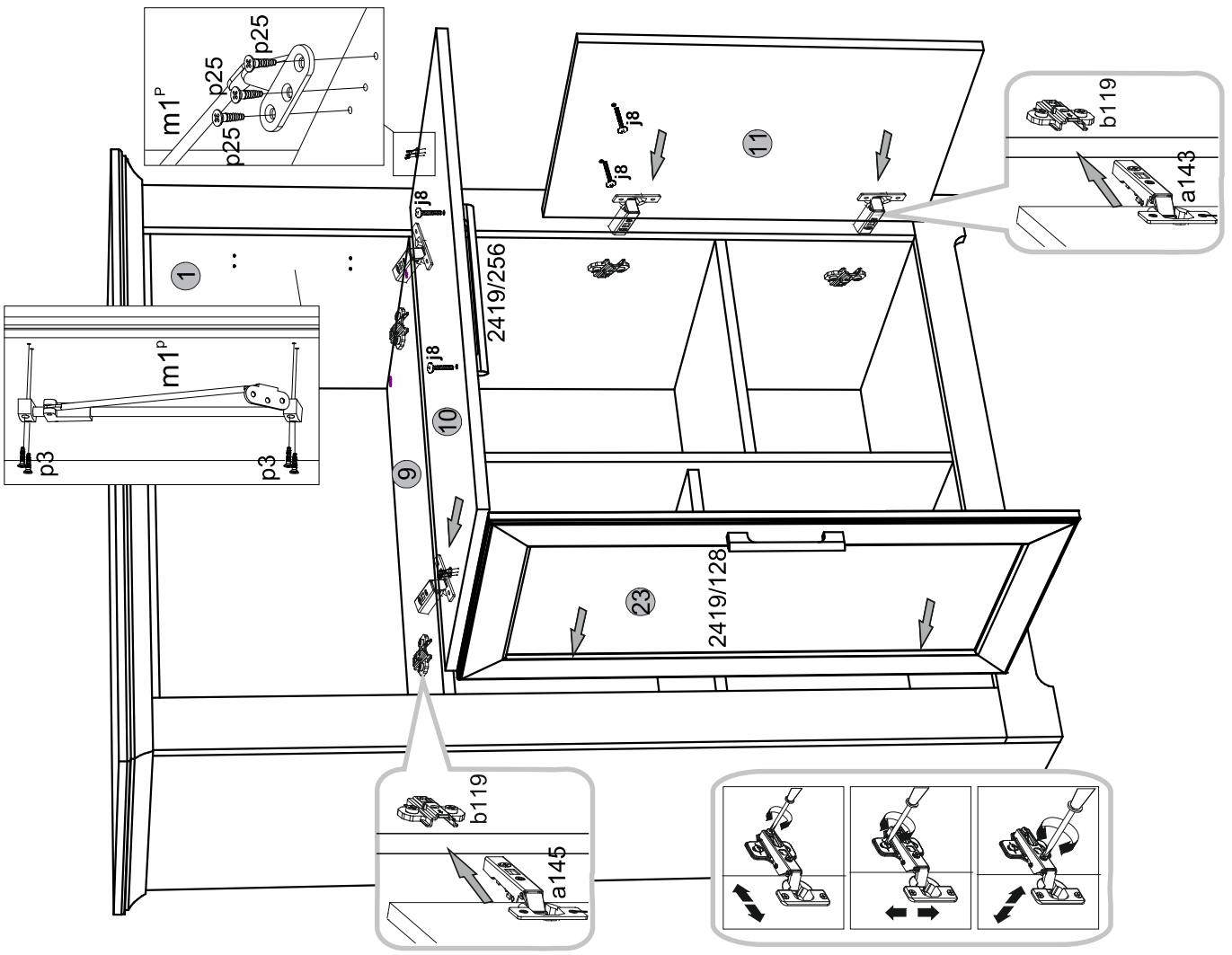


14

! **kg max.**



15



16

