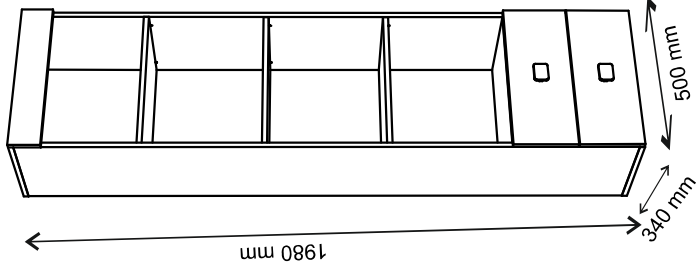
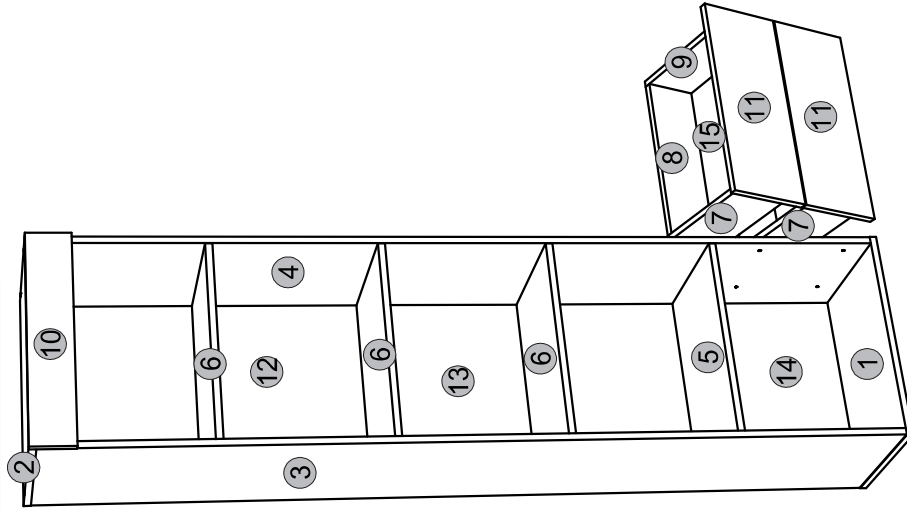
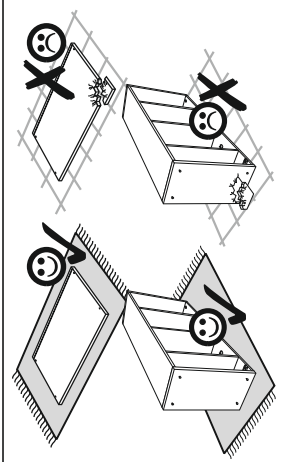
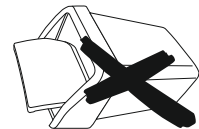
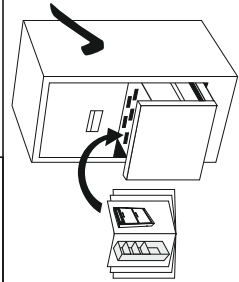
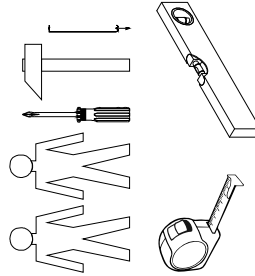
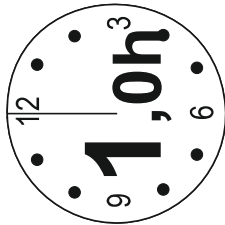
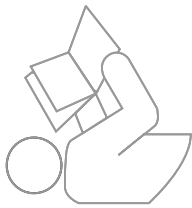
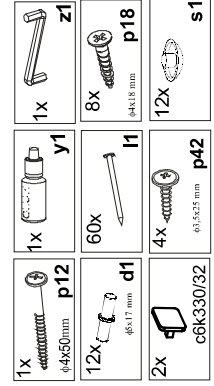


Instalation manual

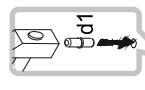
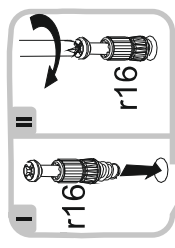
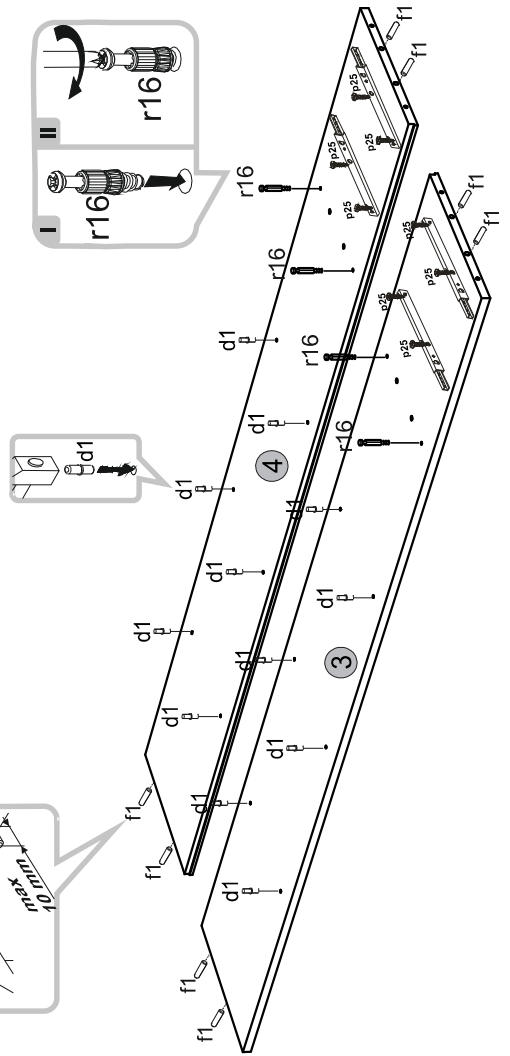
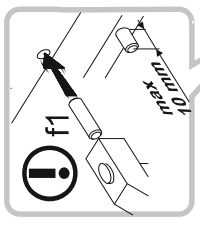
PAMP: Shelving 2S



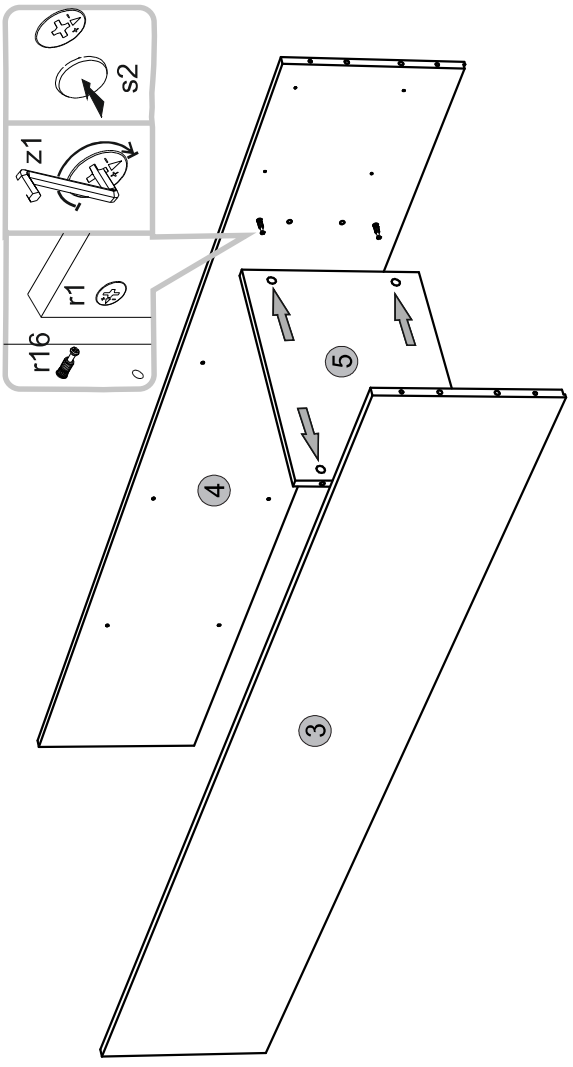
| Element symbol | Dimensions | Code | Package |
|----------------|--------------|------------|---------|
| 1 | 324 16 1 | REG_2S.007 | 1/1 |
| 2 | 324 16 1 | REG_2S.008 | 1/1 |
| 3 | 324 16 1 | REG_2S.009 | 1/1 |
| 4 | 324 16 1 | REG_2S.010 | 1/1 |
| 5 | 466 320 16 1 | REG_2S.011 | 2/2 |
| 6 | 466 320 16 3 | REG_2S.012 | 2/2 |
| 7 | 300 140 16 2 | REG_2S.014 | 2/2 |
| 8 | 408 140 16 2 | REG_2S.015 | 1/1 |
| 9 | 300 140 16 2 | REG_2S.016 | 2/2 |
| 10 | 500 100 16 1 | REG_2S.006 | 1/1 |
| 11 | 496 202 16 2 | REG_2S.013 | 2/2 |
| 12 | 778 484 3 1 | REG_2S.002 | 2/2 |
| 13 | 772 484 3 1 | REG_2S.003 | 2/2 |
| 14 | 395 484 3 1 | REG_2S.004 | 2/2 |
| 15 | 422 298 3 2 | REG_2S.005 | 2/2 |



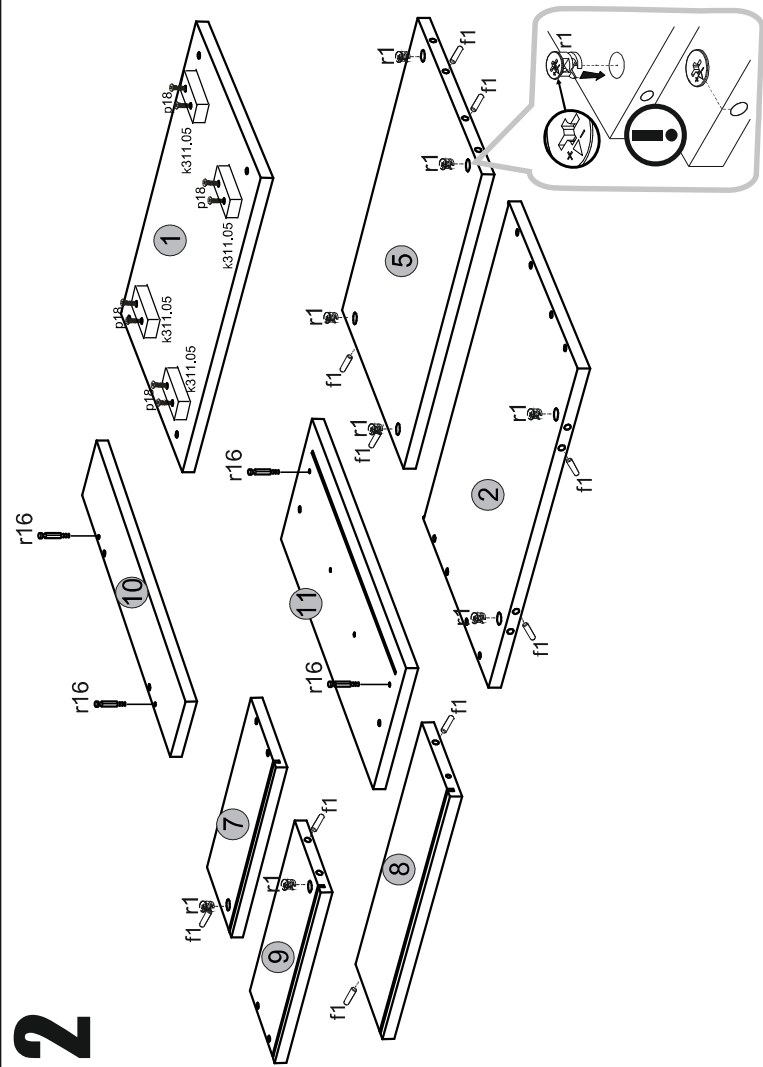
1



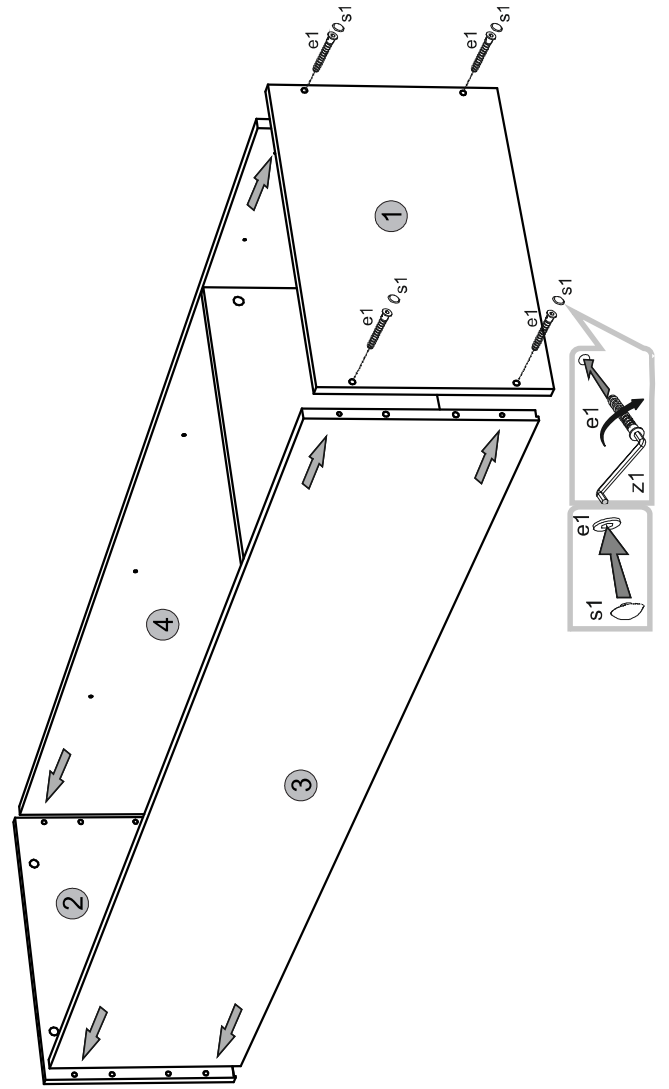
3



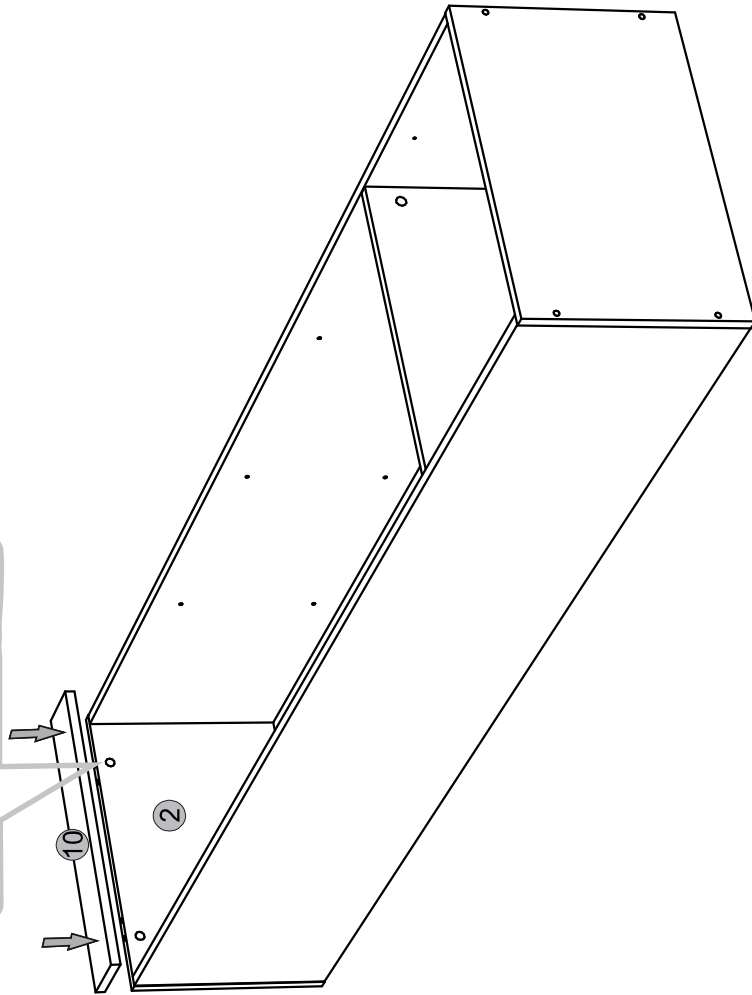
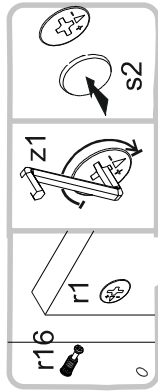
2



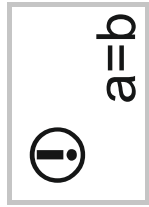
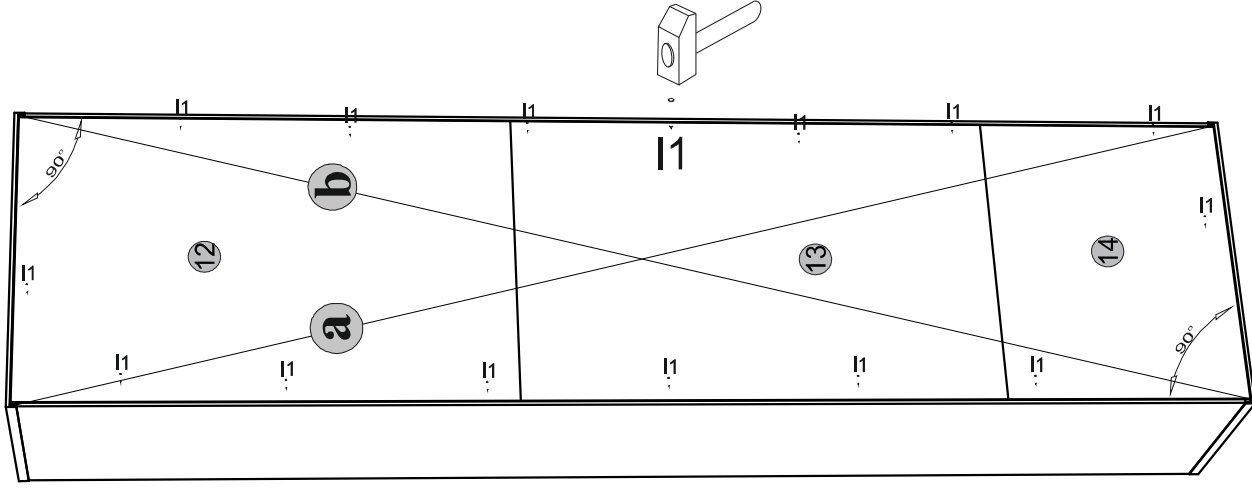
4

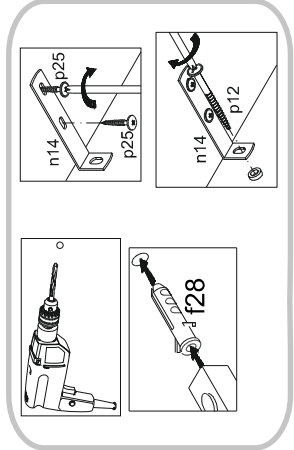
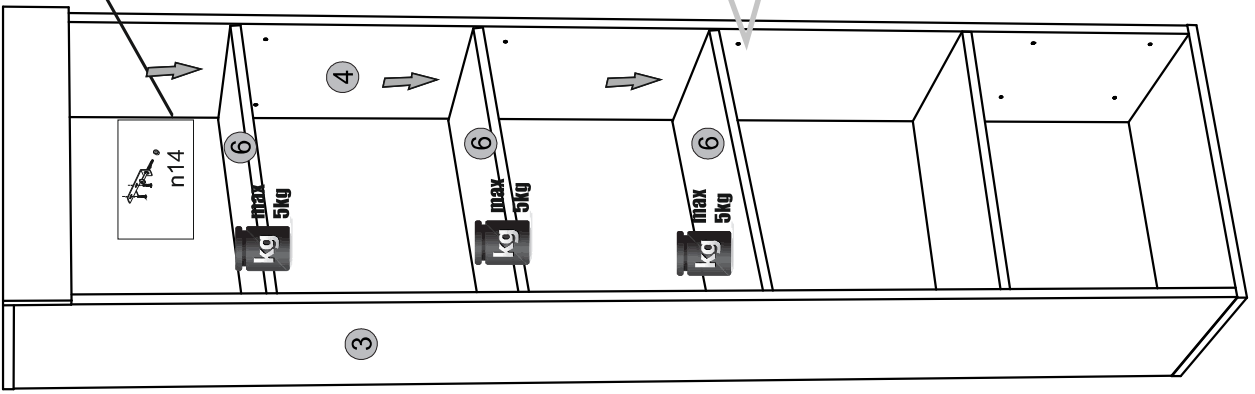


5



6





8

