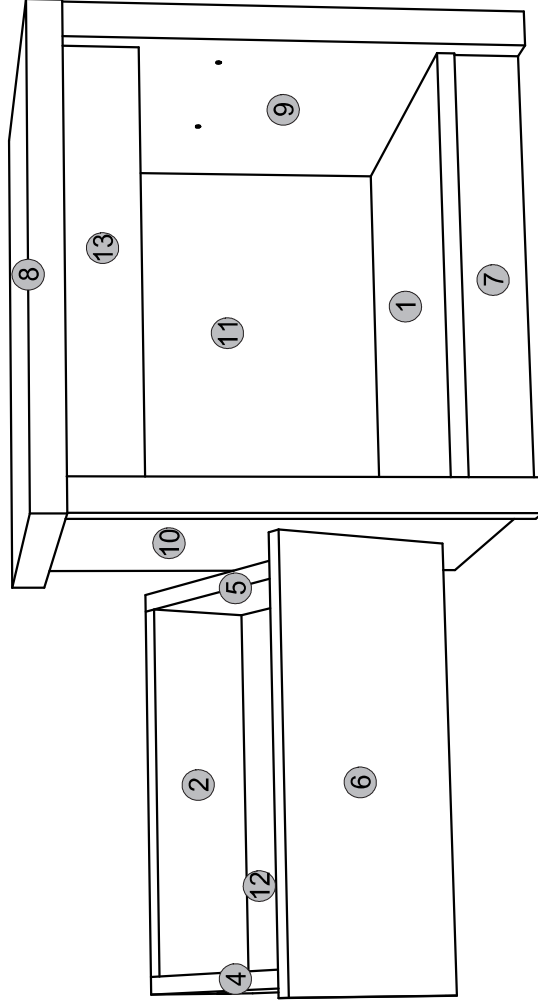
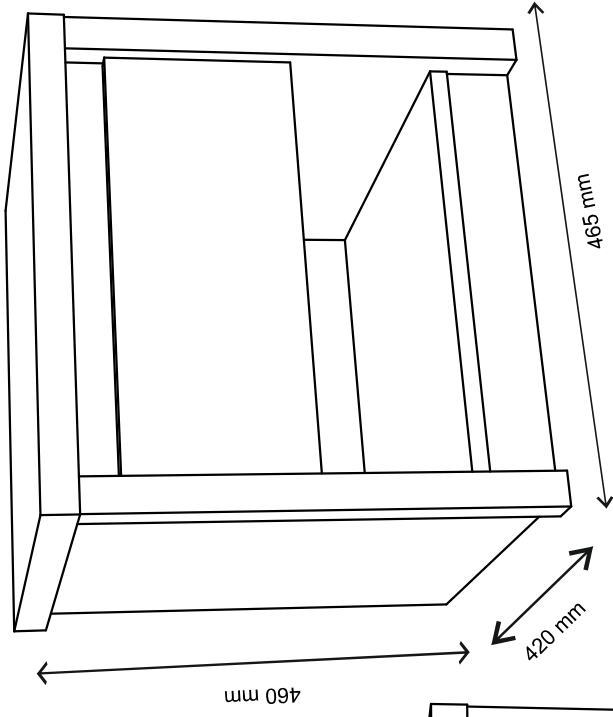
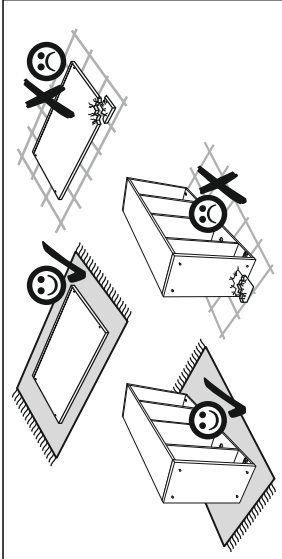
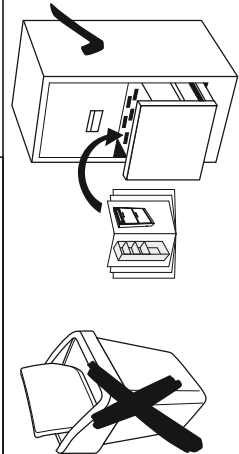
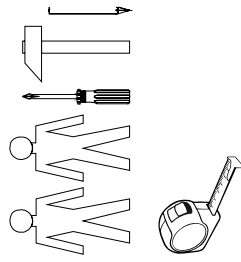
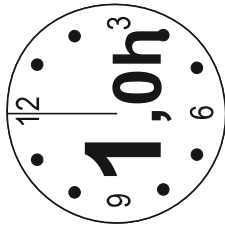
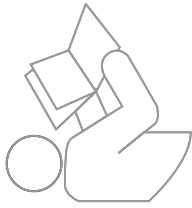
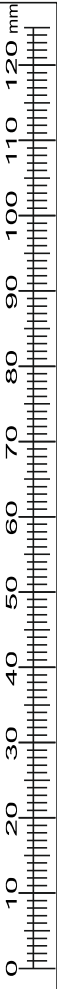
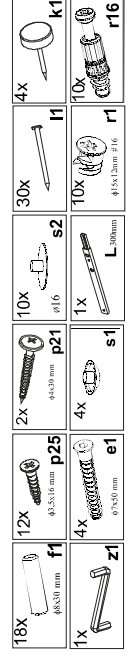


# Instalation manual

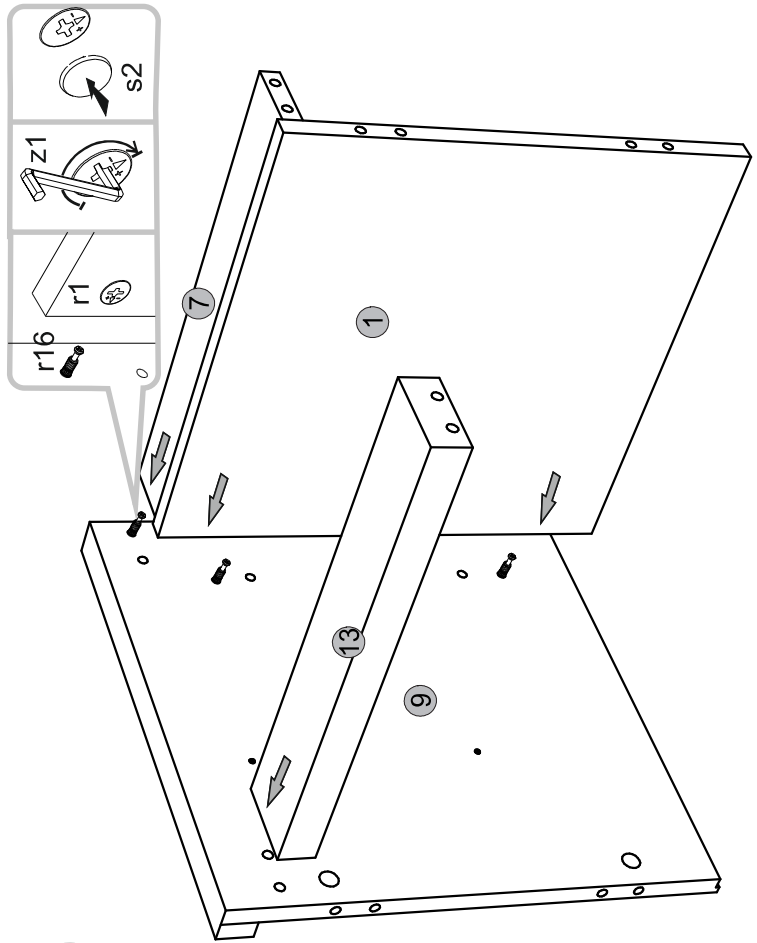
NORTON: SZFK\_NOC\_1S



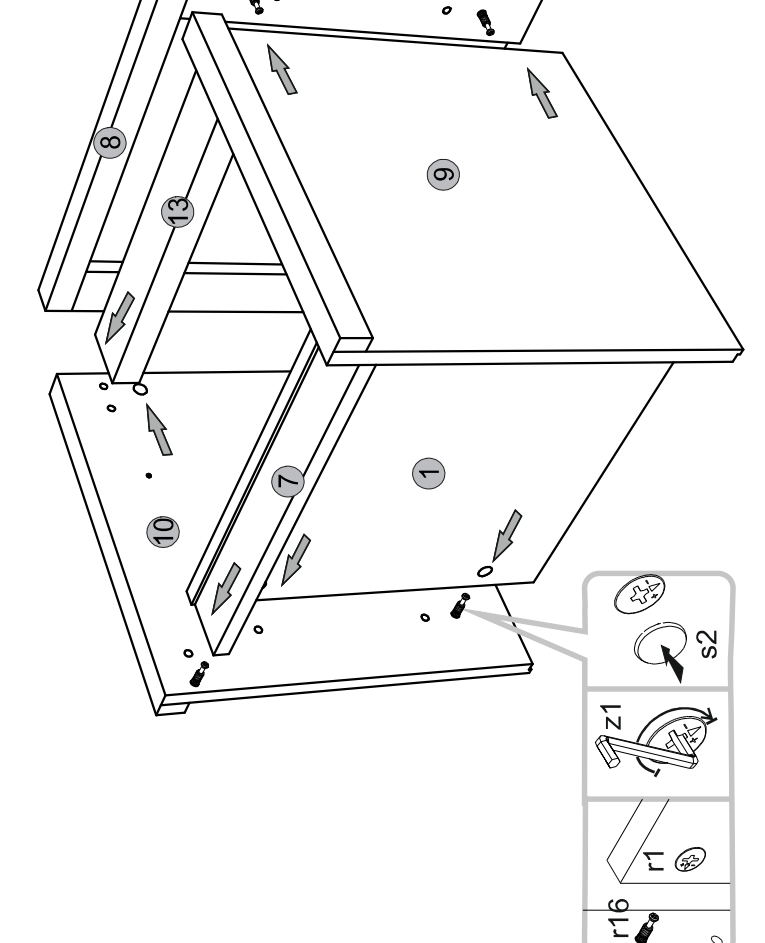
Element symbol	Dimensions			Code	Package
	398	16	1		
1	398	16	1	NS-301	1/1
2	341	16	1	NS-501	1/1
3	341	16	1	NS-502	1/1
4	300	16	1	NS-503	1/1
5	300	16	1	NS-504	1/1
6	170	392	16	NS-001	1/1
7	60	398	16	NS-401	1/1
8	464	420	16/32	NS-201	1/1
9	418	418	16/32	NS-105	1/1
10	418	418	16/32	NS-106	1/1
11	383	416	3	NS-601	1/1
12	355	282	3	NS-602	1/1
13	70	398	30	NS-402	1/1



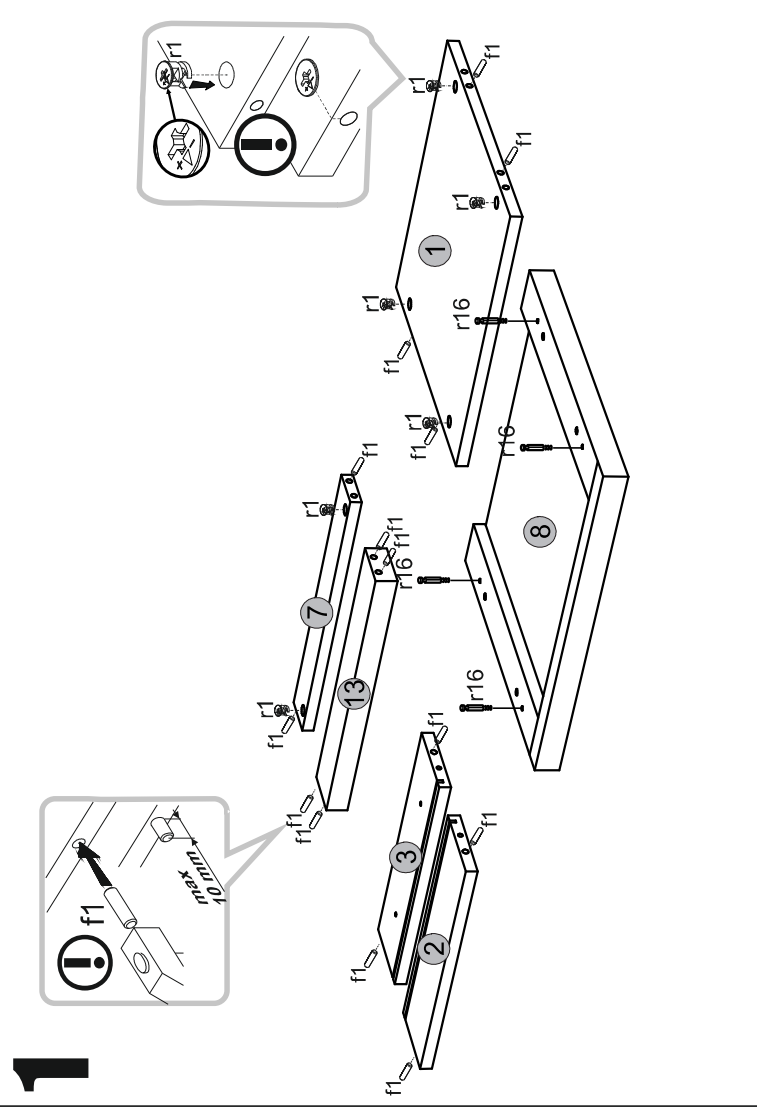
**3**



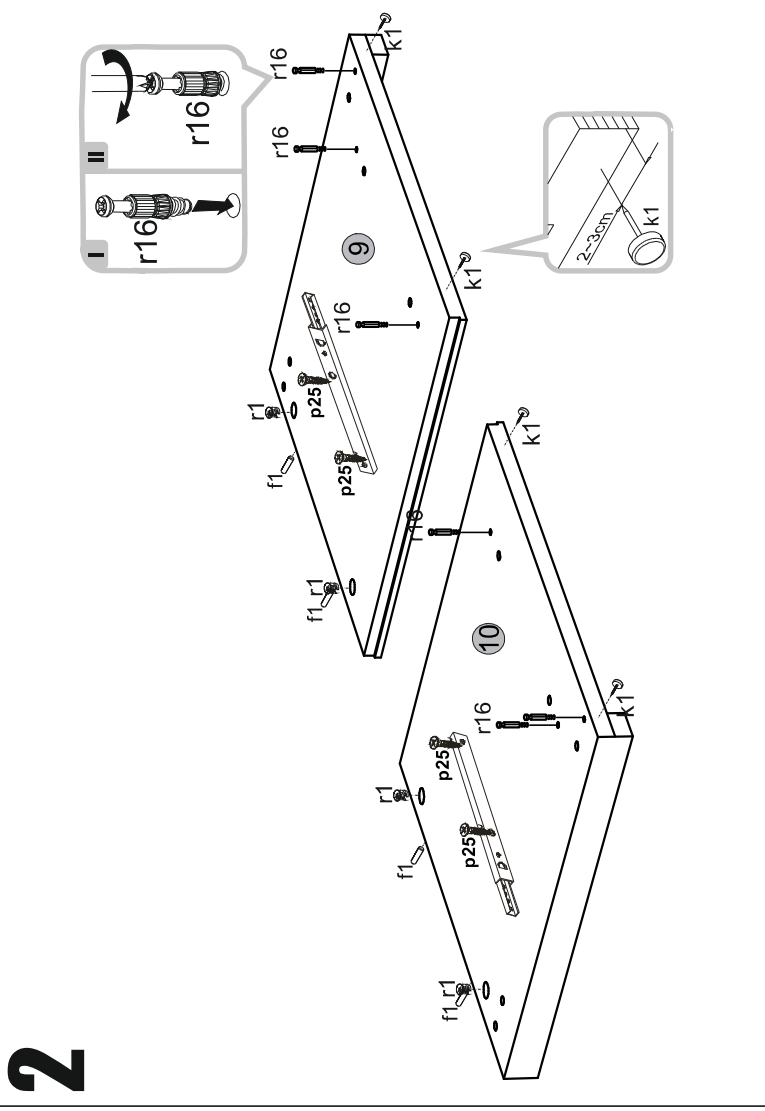
**4**



**1**

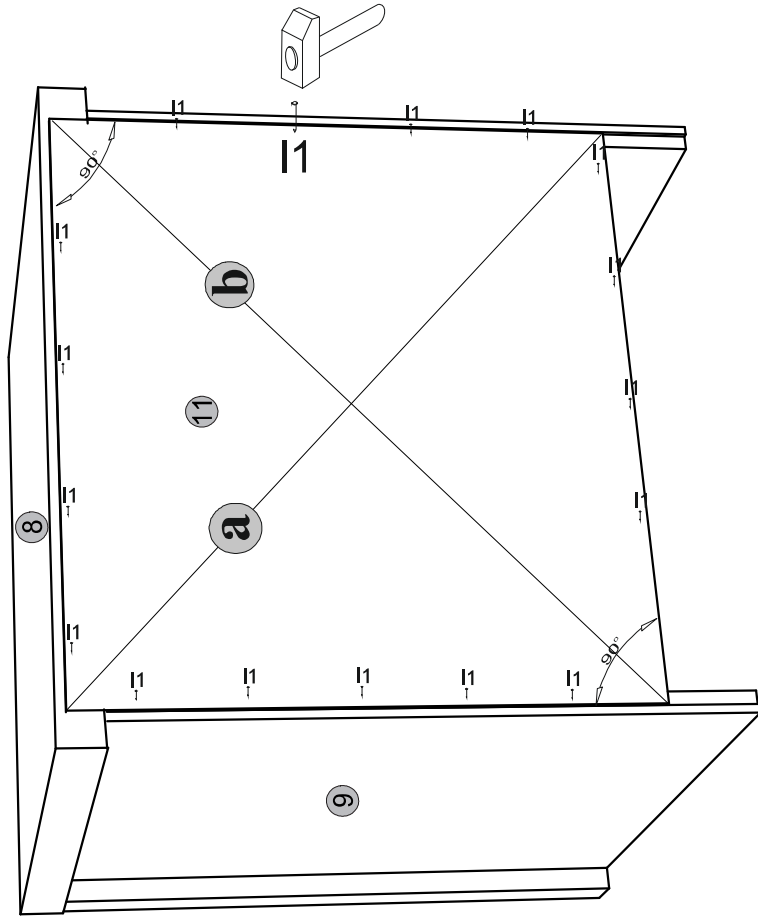


**2**



5

ⓘ a=b



6

