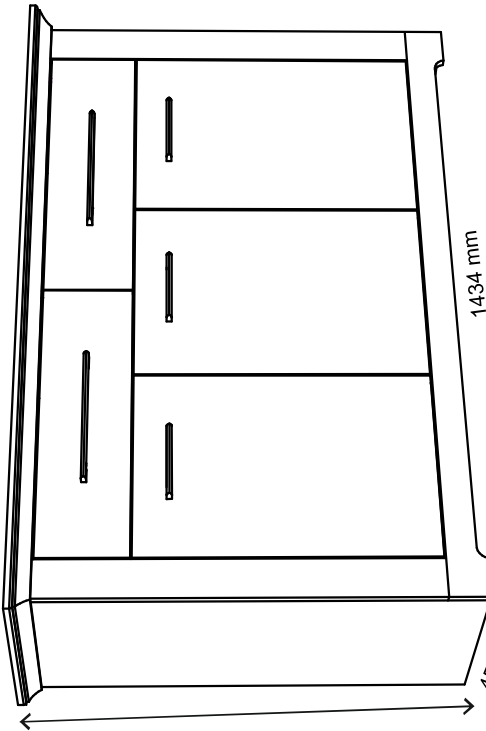
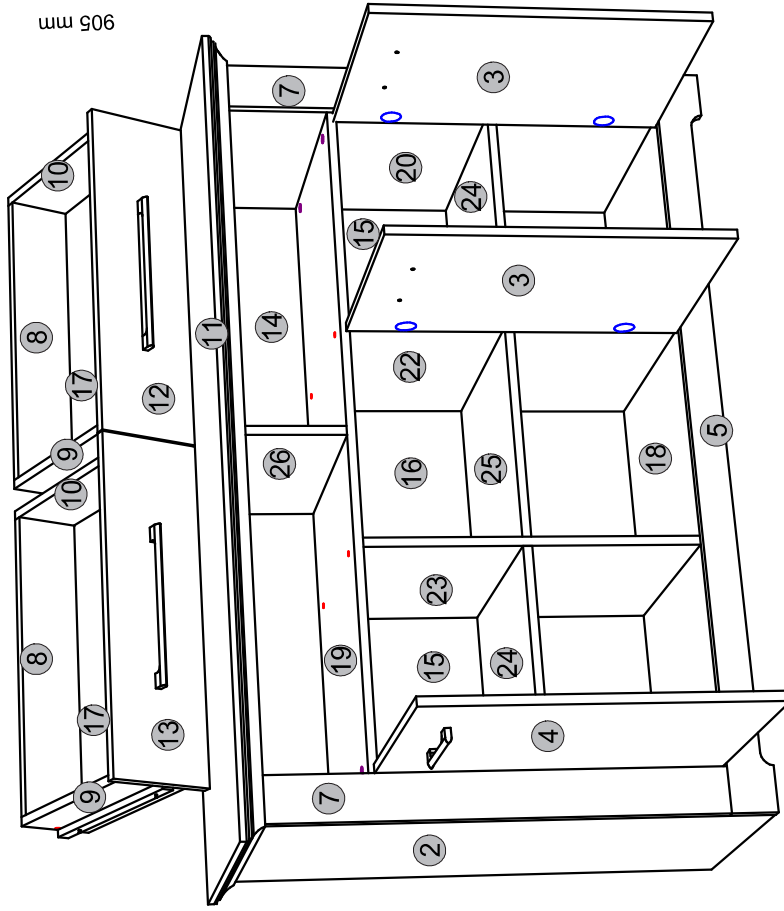
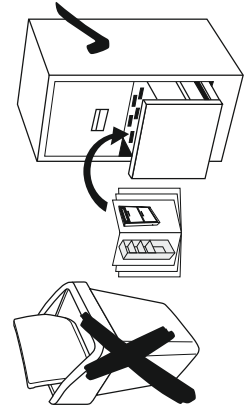
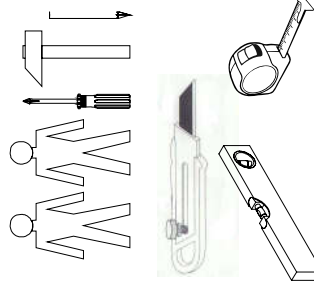
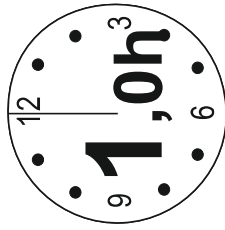
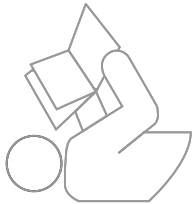


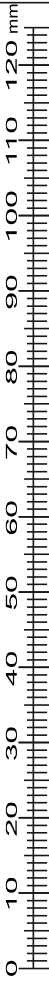
Instalation manual

ARSAL: KOM 3D2S

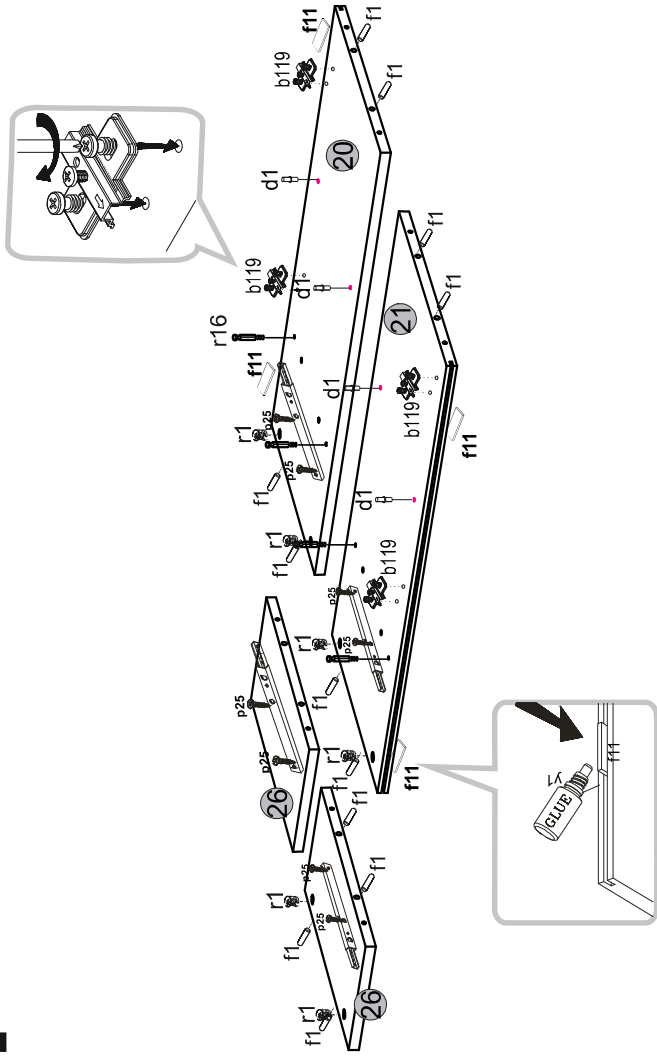


Element symbol	Dimensions	Code	Package
1	884 404	KOM_3D2S.006	1/1
2	884 404	KOM_3D2S.007	1/1
3	585 396	KOM_3D2S.010	3/3
4	585 396	KOM_3D2S.011	3/3
5	1360 80	KOM_3D2S.016	2/2
6	64 1326	KOM_3D2S.019	2/2
7	804 80	KOM_3D2S.022	2/2
8	535 130	KOM_3D2S.036	2/2
9	350 130	KOM_3D2S.037	2/2
10	350 130	KOM_3D2S.038	2/2
11	1434 458	KOM_3D2S.003	2/2
12	596 180	KOM_3D2S.034	3/3
13	596 180	KOM_3D2S.035	3/3
14	223 1344	KOM_3D2S.DVP1	2/2
15	605 471	KOM_3D2S.DVP2	2/2
16	605 400	KOM_3D2S.DVP3	3/3
17	553 352	KOM_3D2S.033	3/3
18	1326 401	KOM_3D2S.004	2/2
19	1202 401	KOM_3D2S.005	2/2
20	804 401	KOM_3D2S.008	1/1
21	804 401	KOM_3D2S.009	1/1
22	582 401	KOM_3D2S.012	2/2
23	582 401	KOM_3D2S.013	2/2
24	393 400	KOM_3D2S.014	2/2
25	384 400	KOM_3D2S.015	2/2
26	401 16	KOM_3D2S.020	2/2

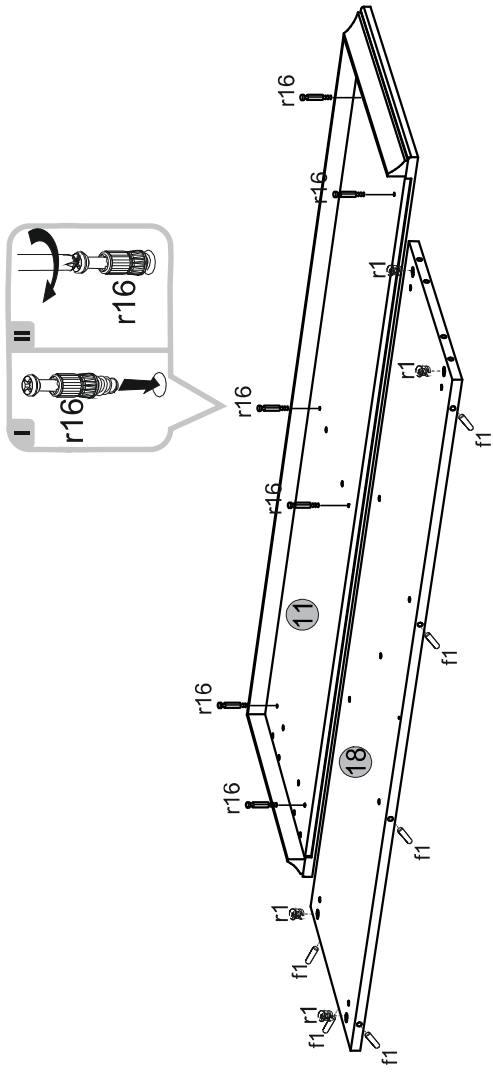
- 3x n221.01
- 1x z1
- 1x p12
- 44x p25
- 1x f28
- 2x p350
- 12x d1
- 12x f1
- 40x e1
- 22x s1
- 3x 2419/128
- 1x 288.01.007
- 12x p52
- 60x i1
- 22x s1
- 10x j8
- 1x 44x50mm
- 1x 88x49 mm
- 2x L-350
- 12x d1
- 22x s2
- 2x 2419/256
- 1x n221.01
- 1x y1
- 1x n14
- 6x k1
- 8x f11
- 4x a143
- 6x b119
- 22x r16
- 2x a145



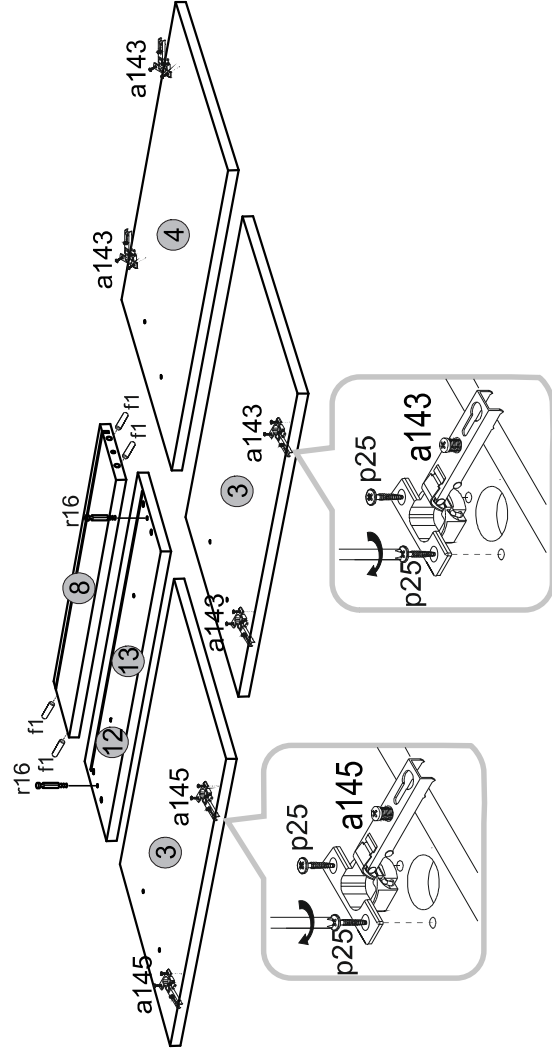
1



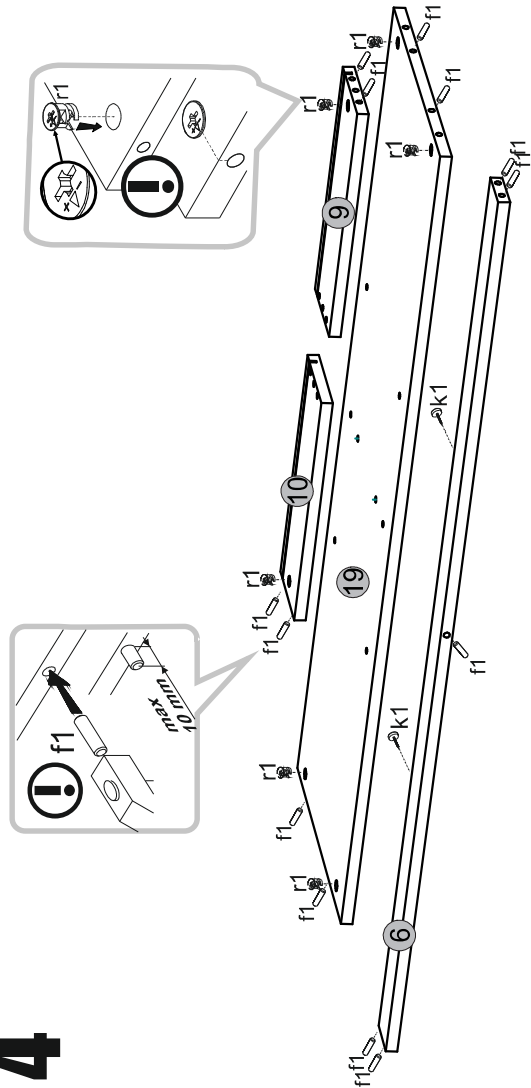
3



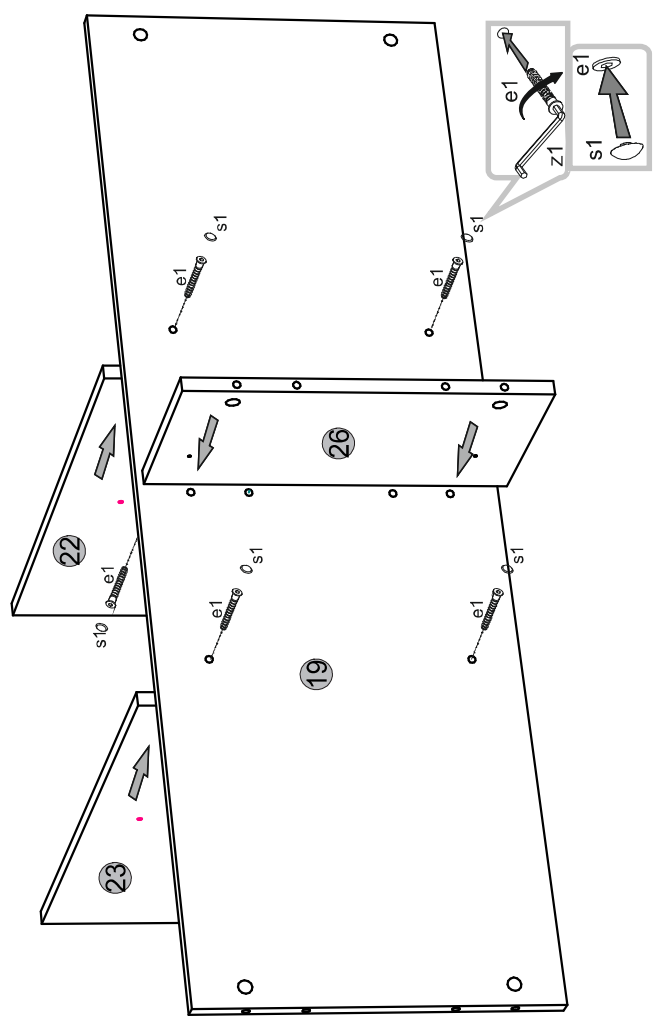
2



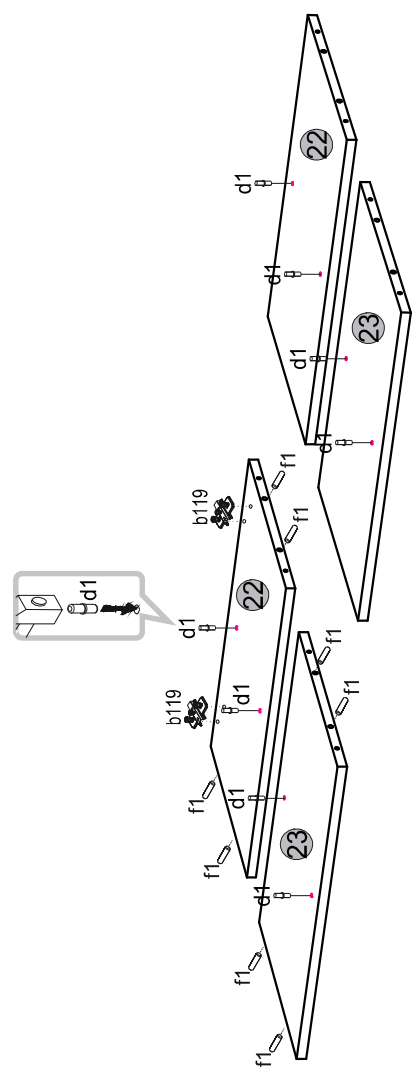
4



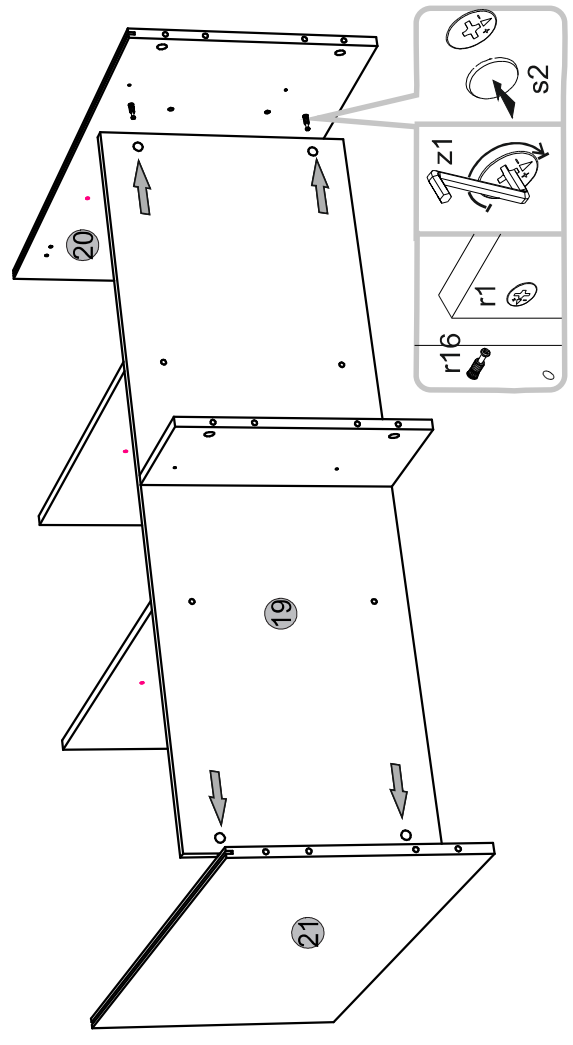
7



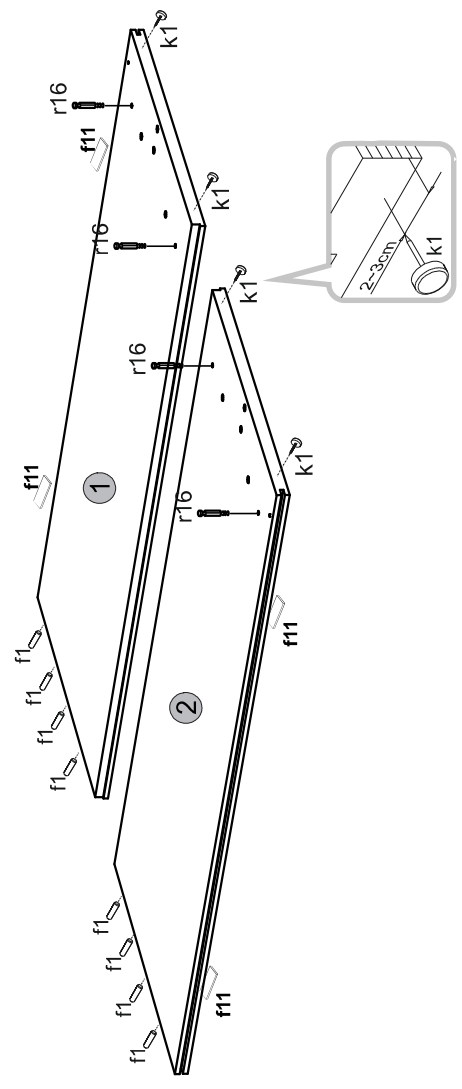
5



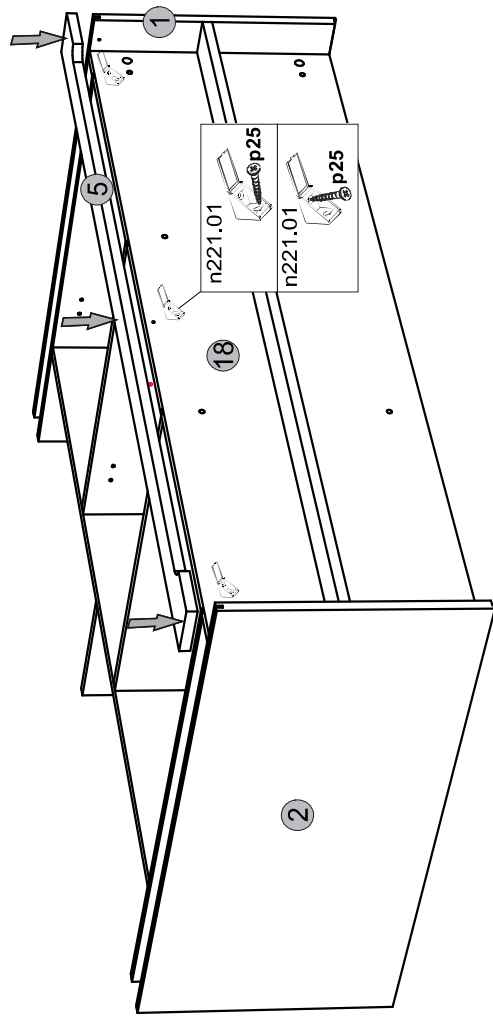
8



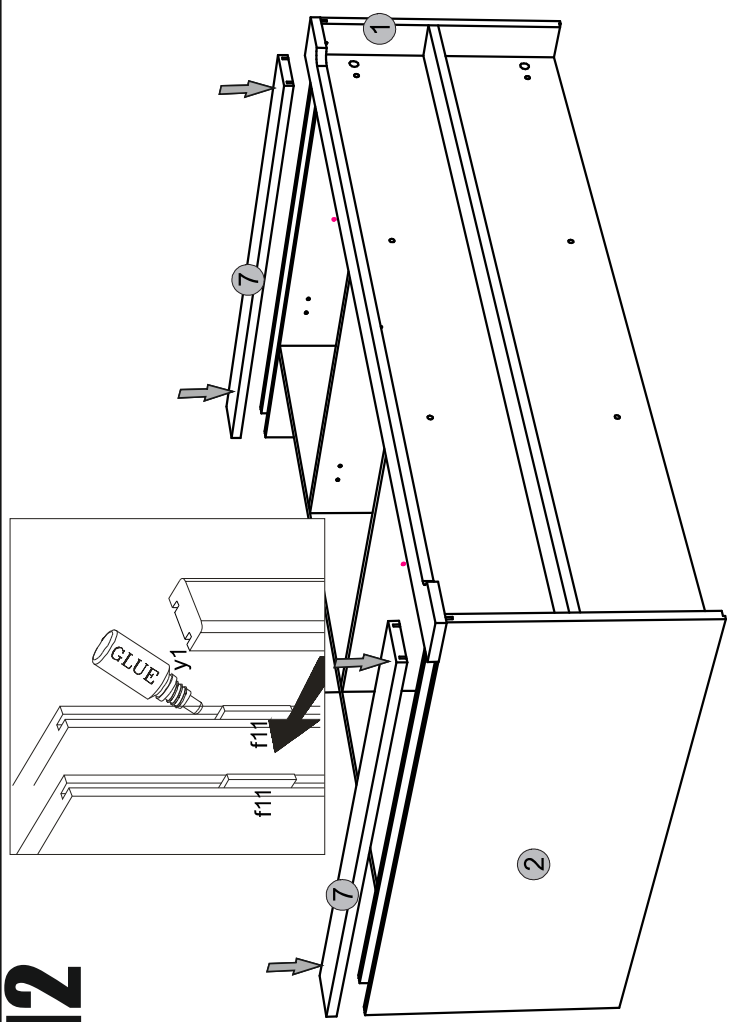
6



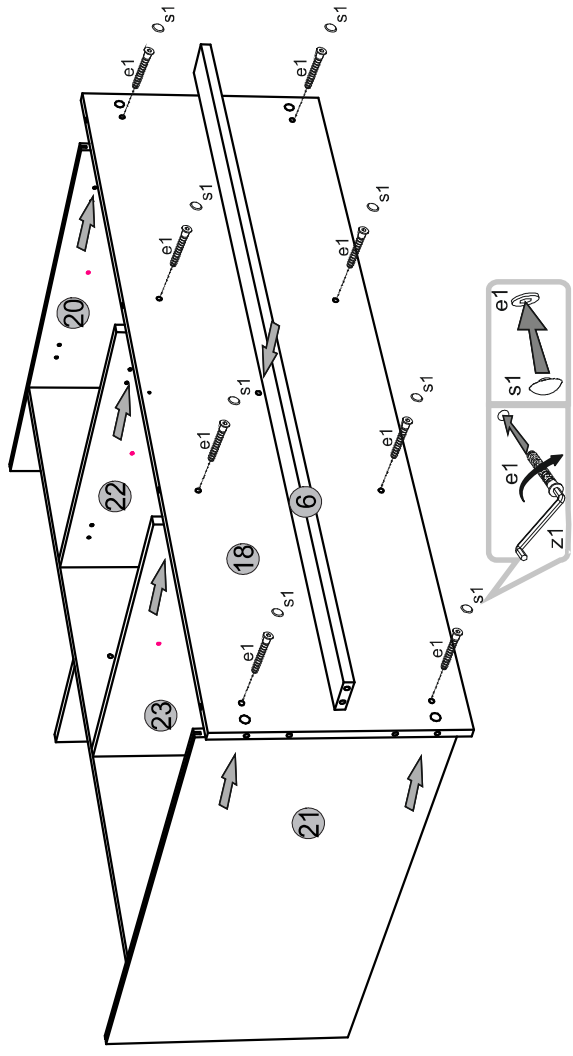
11



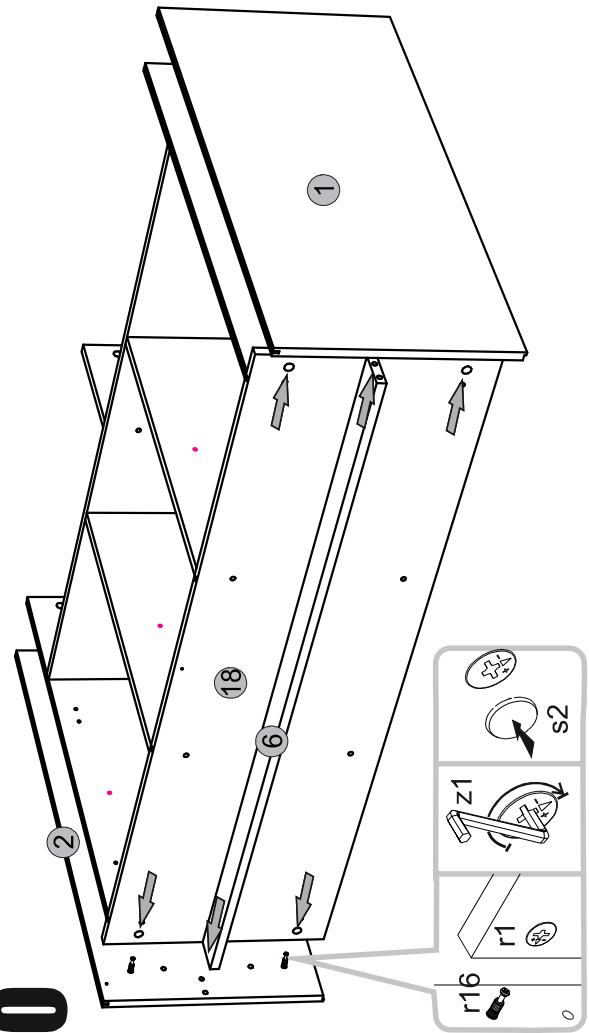
12



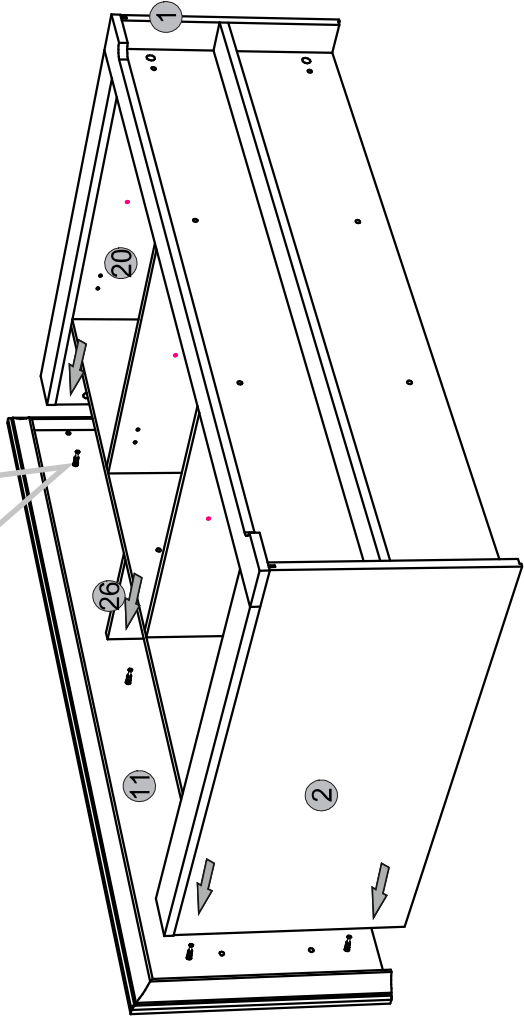
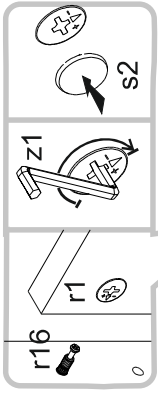
9



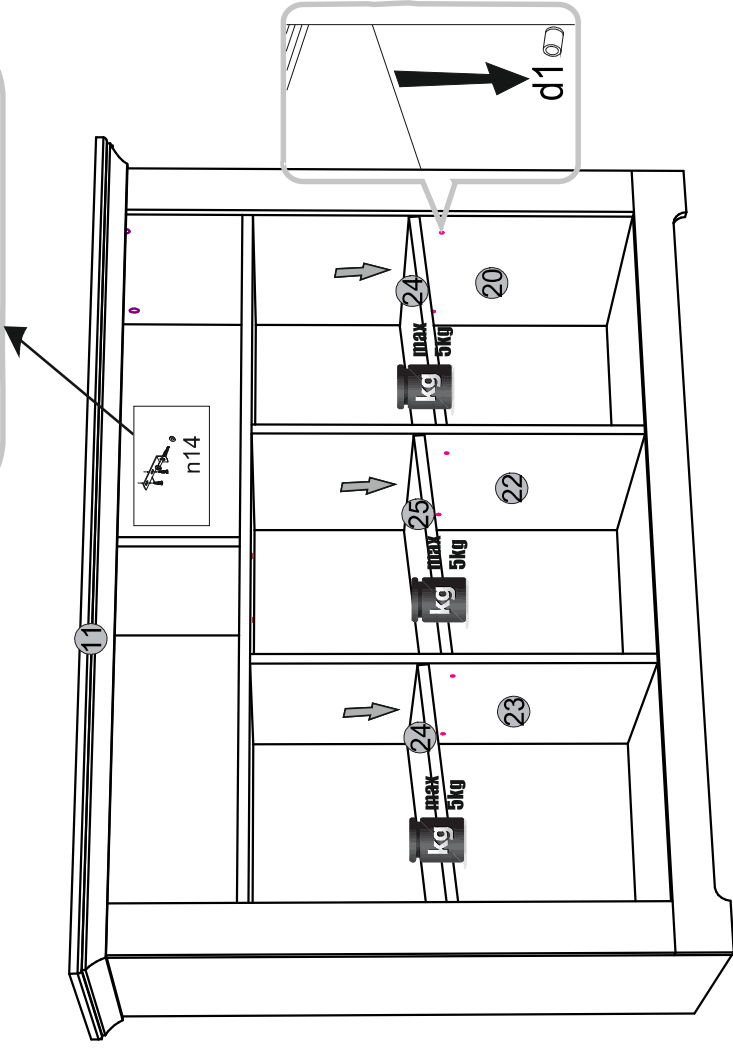
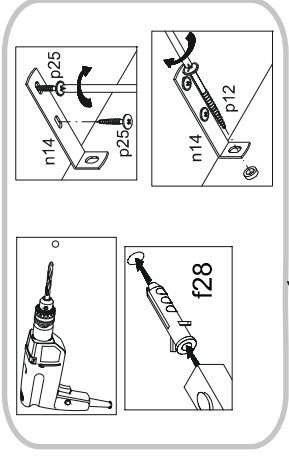
10



13



15



14

