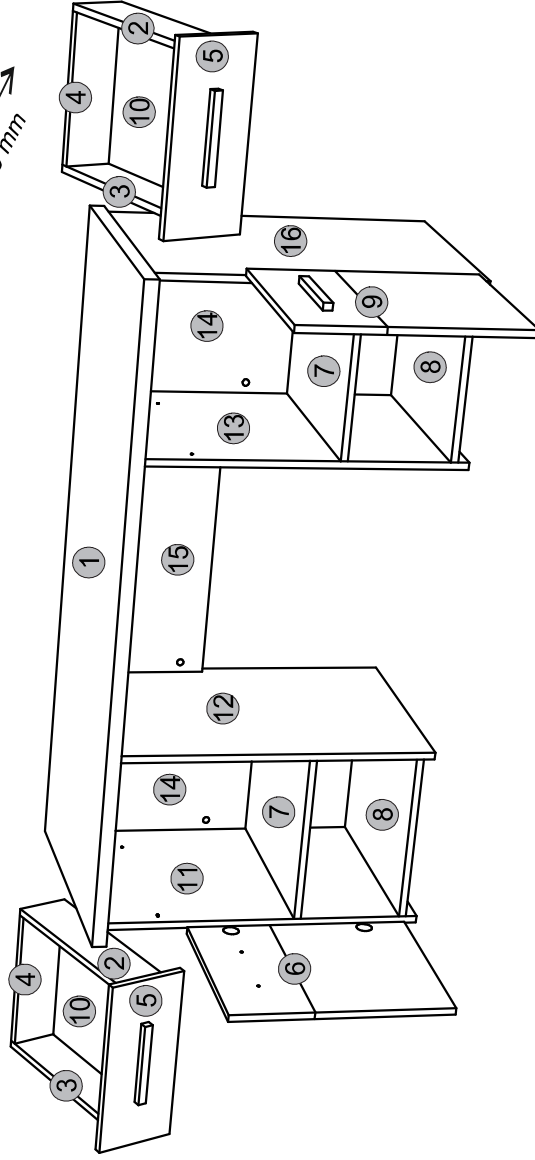
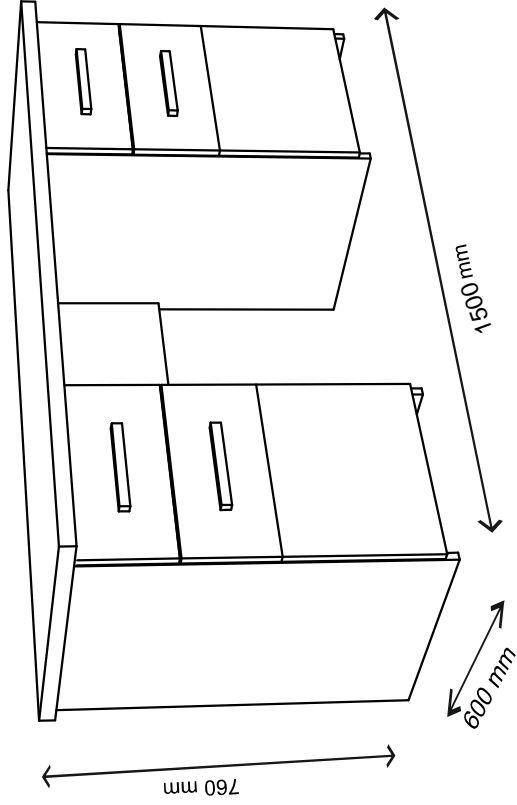
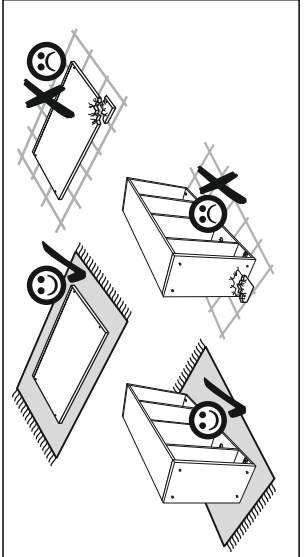
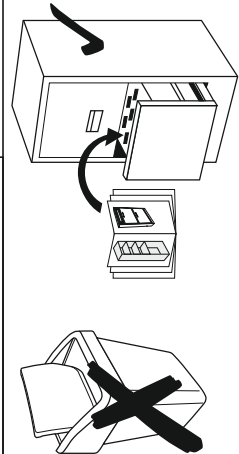
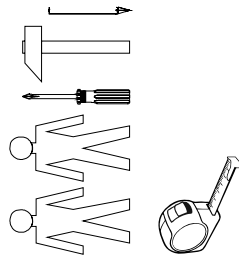
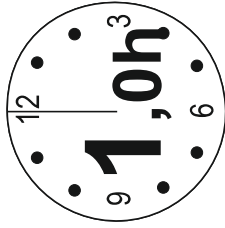
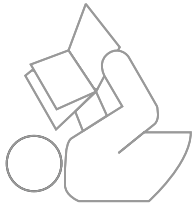
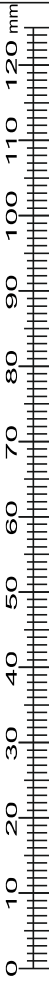
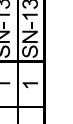
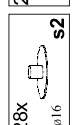
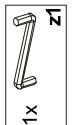
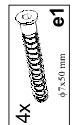
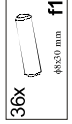
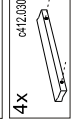


Installation manual

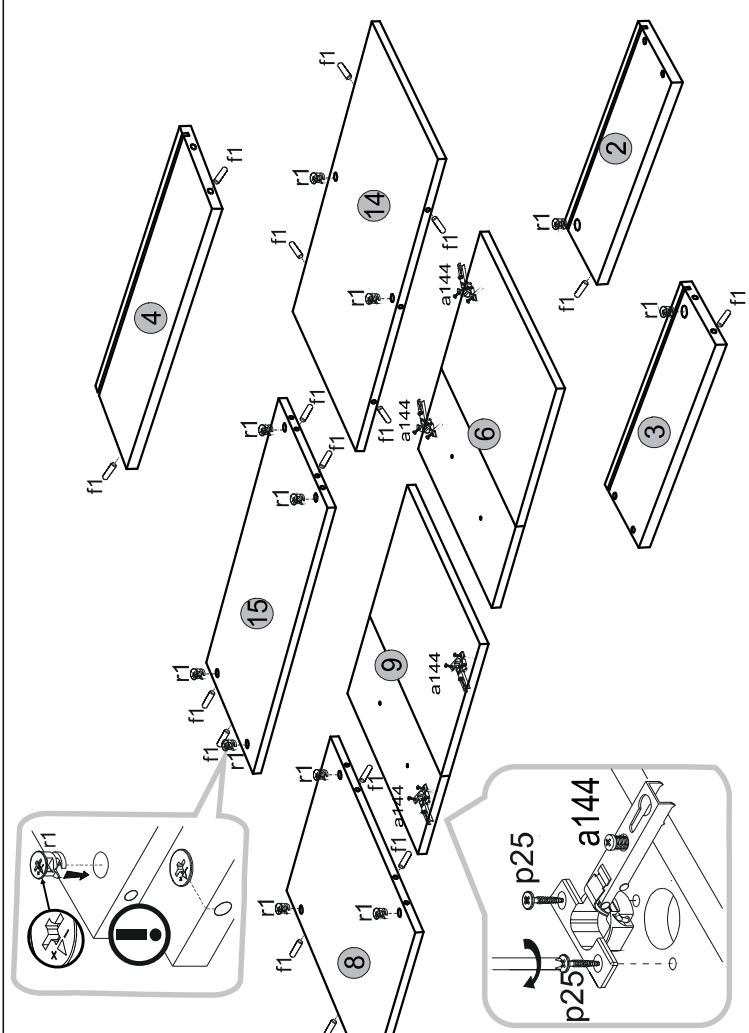
SOLO: BIU_2D2S



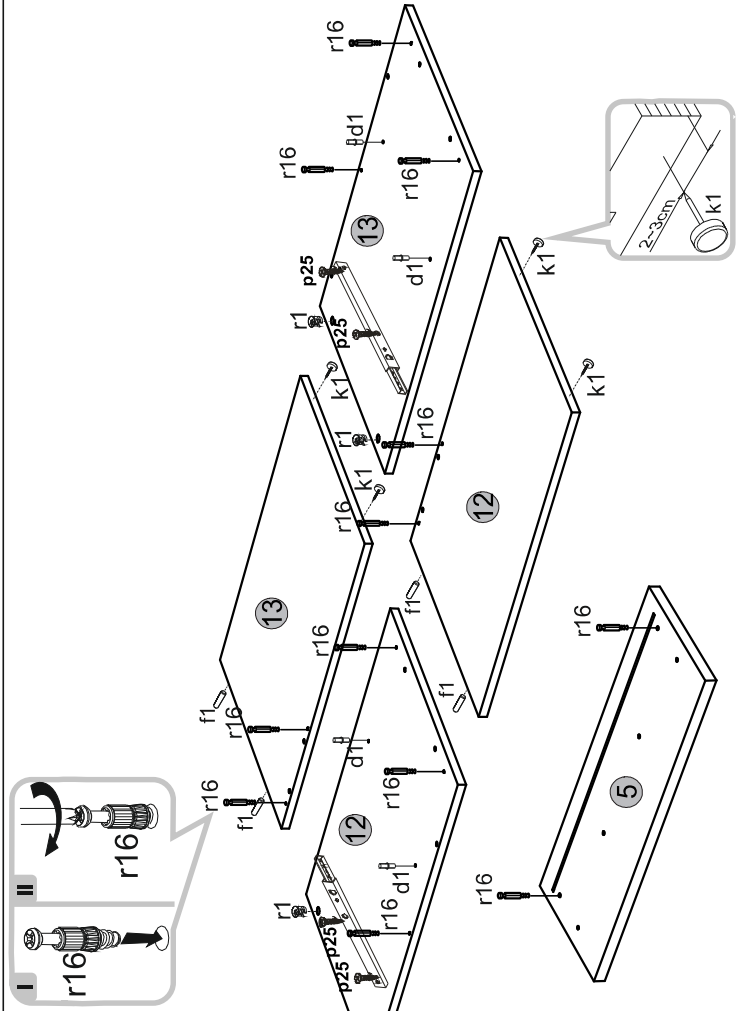
Element symbol	Dimensions			Code	Package
	600	16/32/32	1		
1	1500	16	1	SN-216	1/1
2	450	120	2	SN-421	1/1
3	450	120	2	SN-420	1/1
4	326	120	2	SN-422	1/1
5	188	412	2	SN-036	1/1
6	500	412	1	SN-035	1/1
7	384	479	2	SN-321	1/1
8	384	500	2	SN-320	1/1
9	500	412	1	SN-037	1/1
10	340	448	3	SN-621	1/1
11	723	500	16	SN-130	2/2
12	723	500	16	SN-132	2/2
13	723	500	16	SN-136	2/2
14	682	384	16	SN-133	2/2
15	300	658	16	SN-137	2/2
16	723	500	16	SN-135	2/2



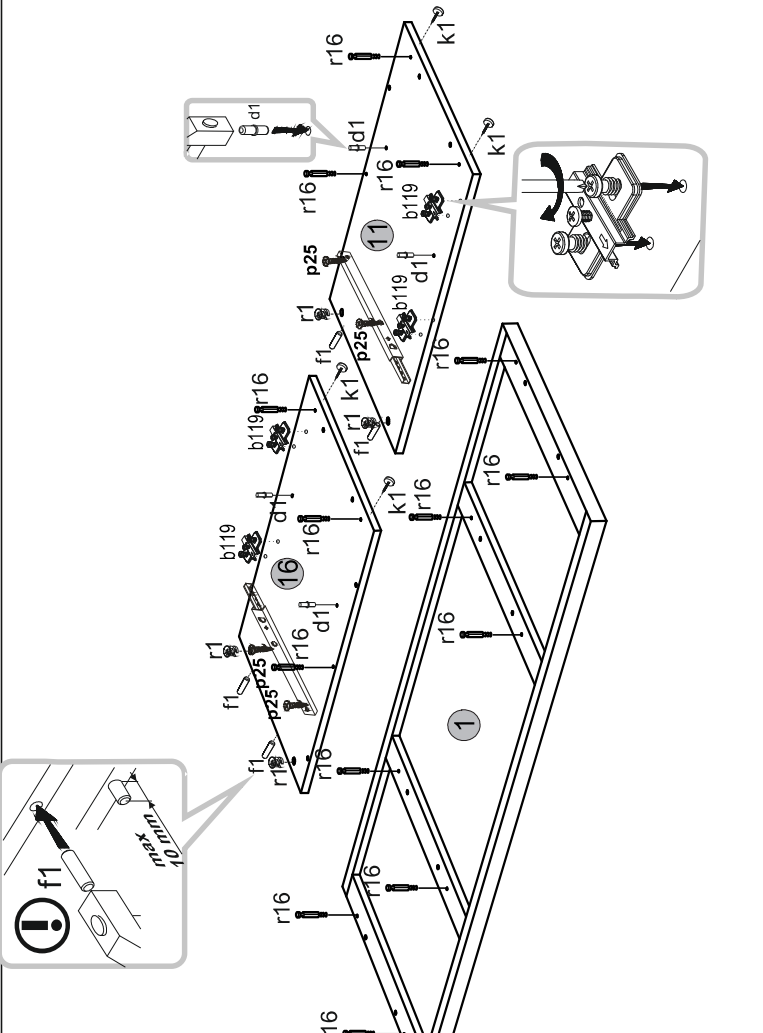
1



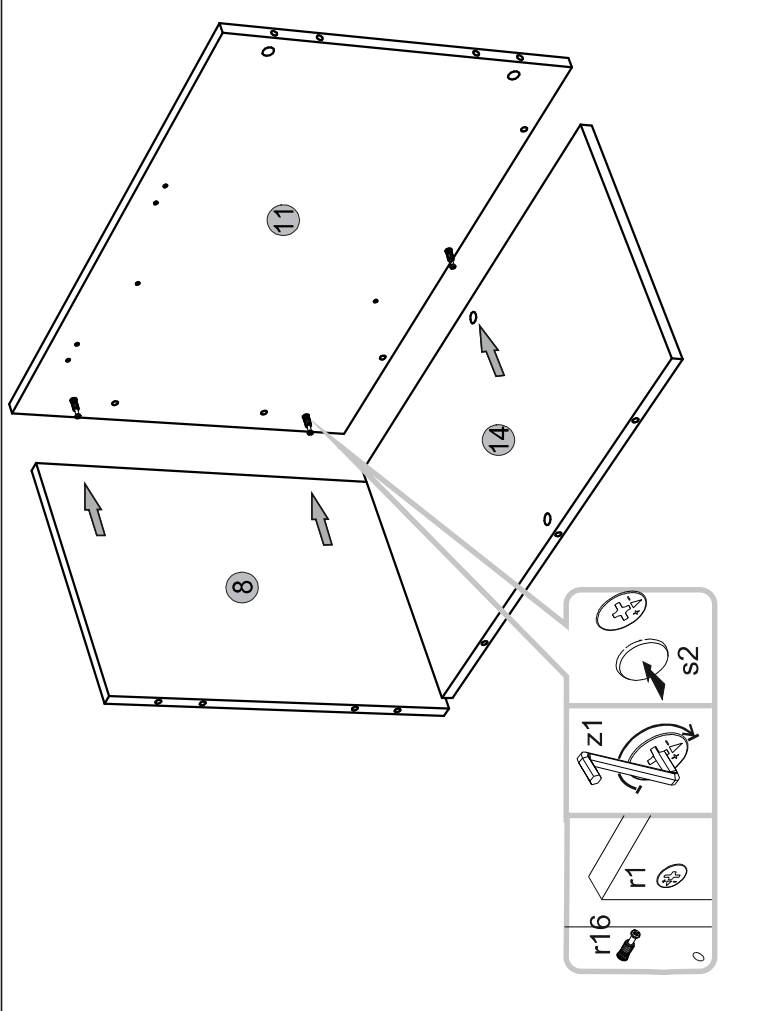
3



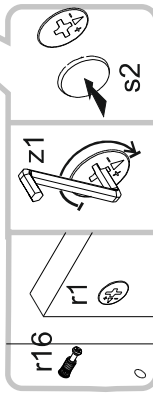
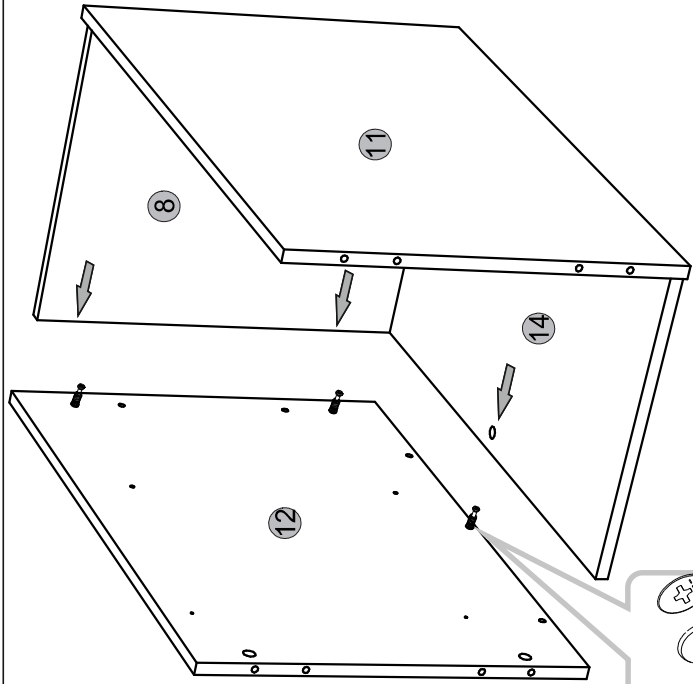
2



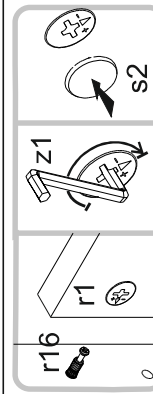
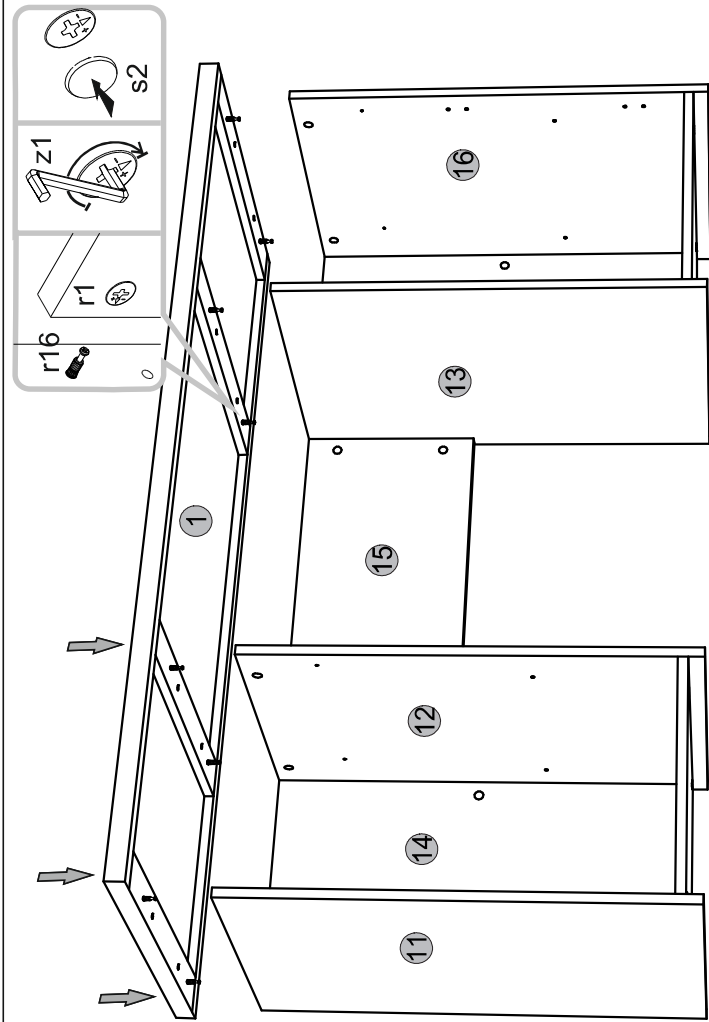
4



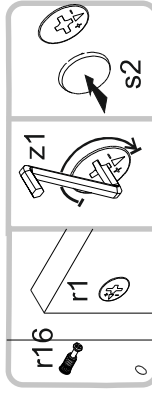
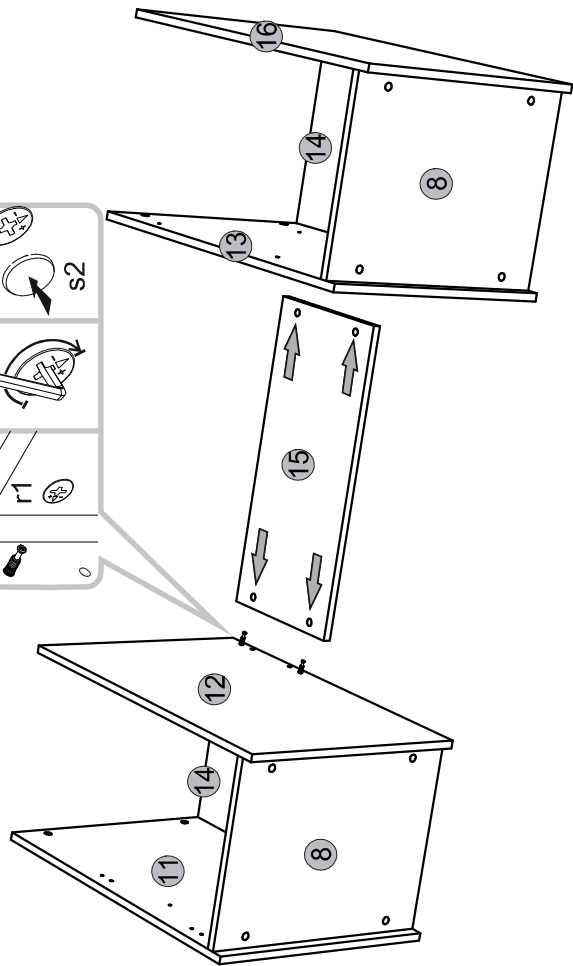
5



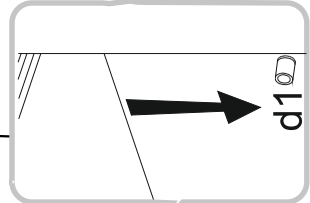
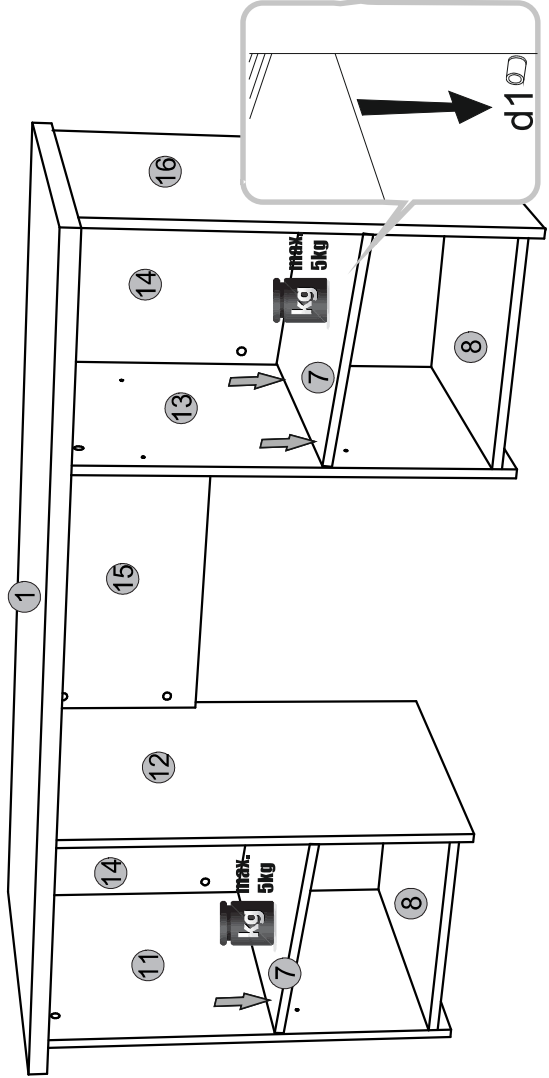
7



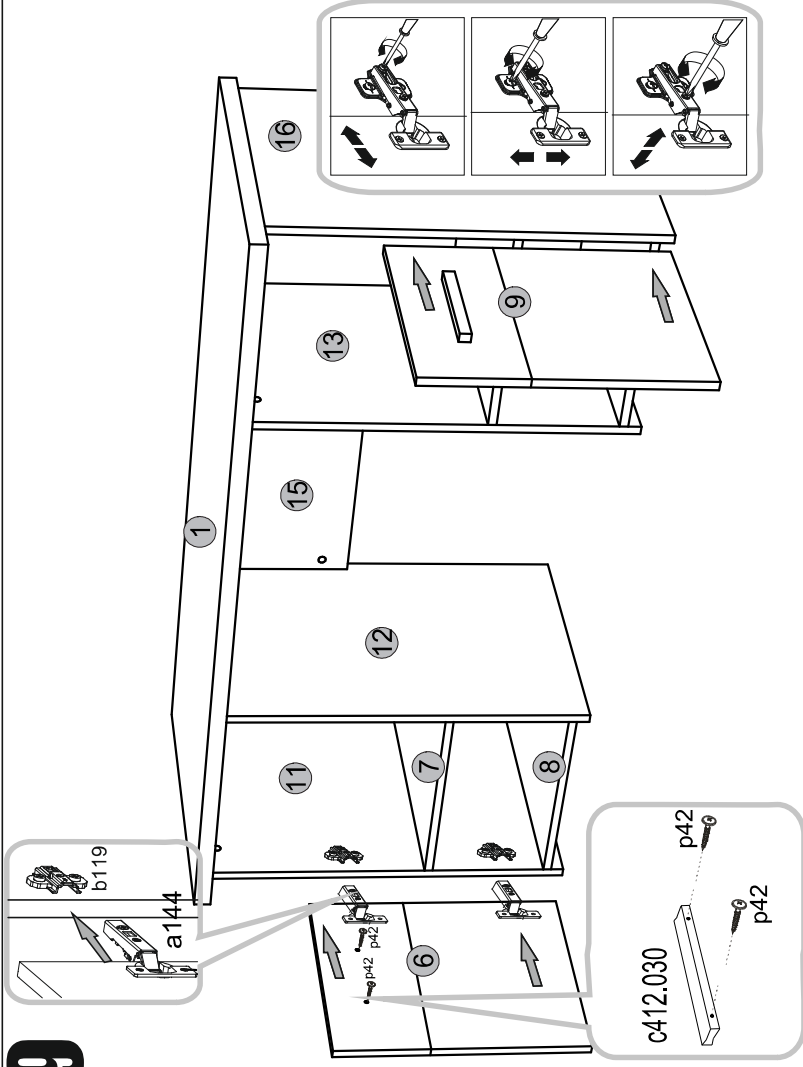
6



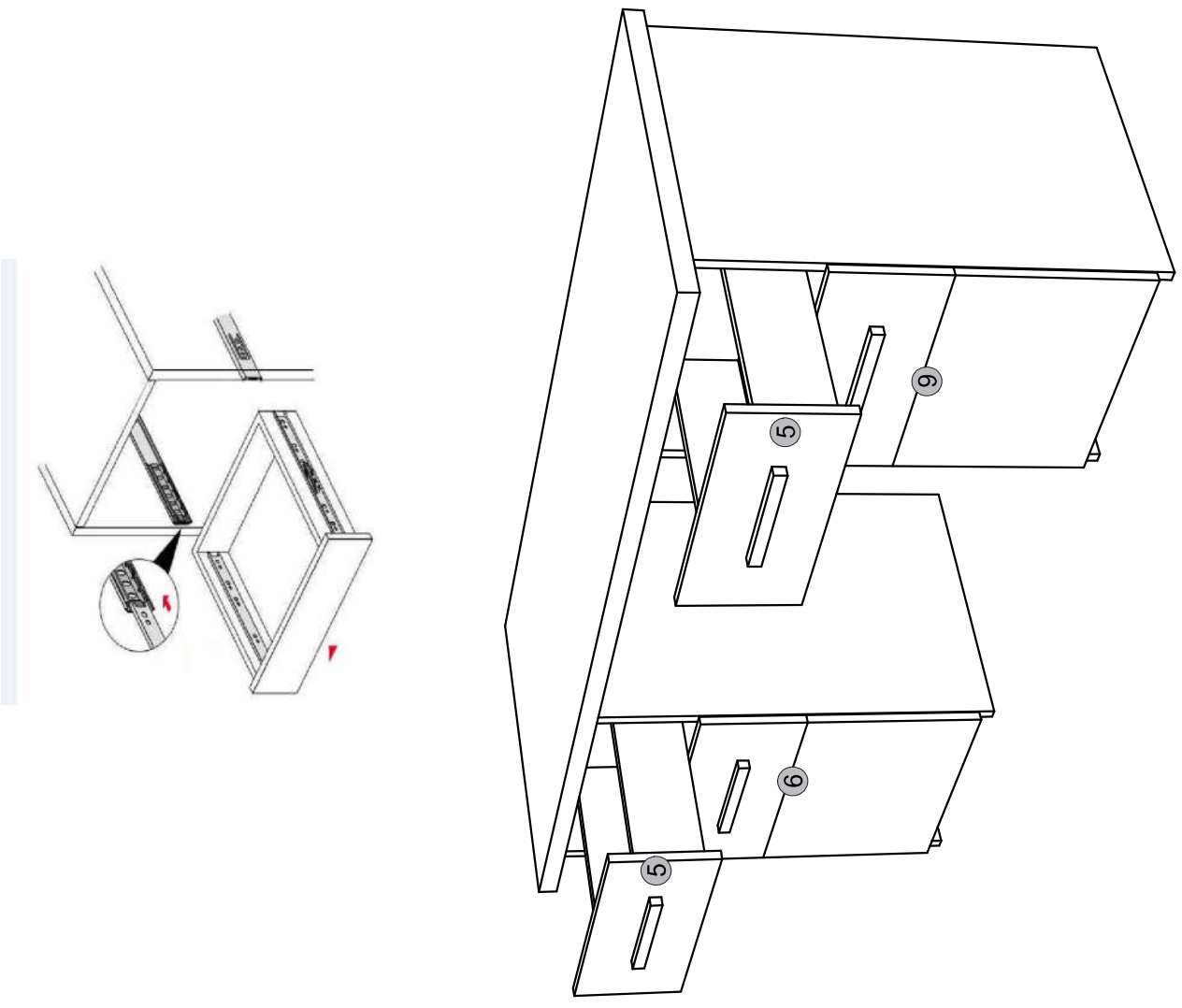
8



9



11



10

