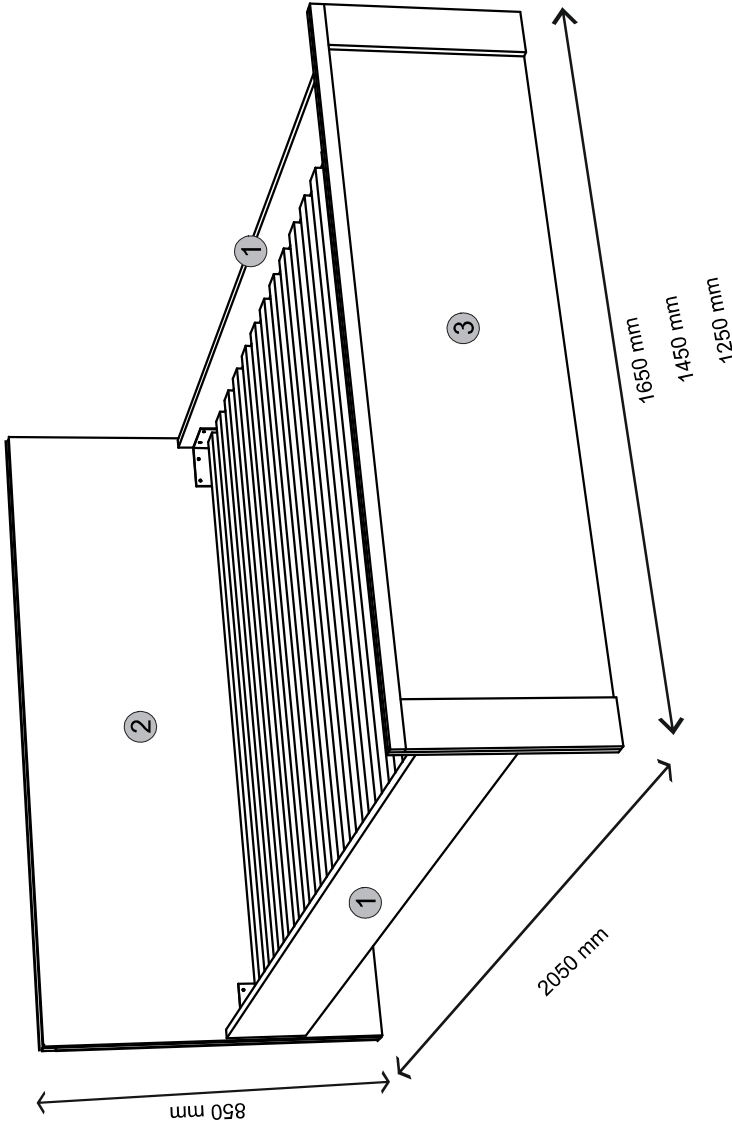
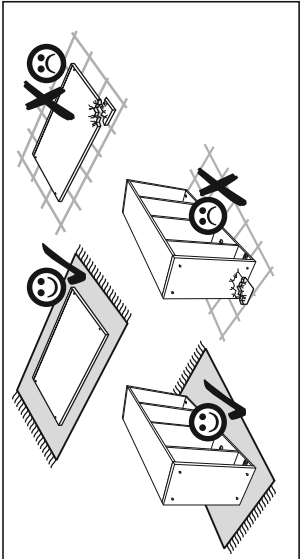
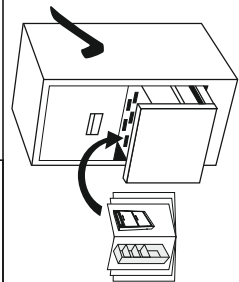
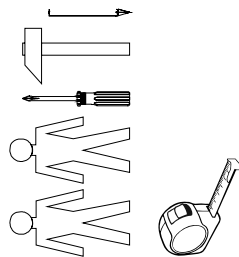
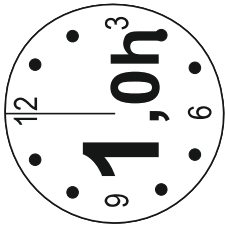
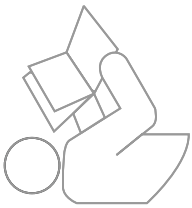


# Installation manual

NORTON: LOZ\_160\_140\_120



## LOZ\_160

Element symbol	Dimensions			Code	Package
	200	2000	22		
1	200	2000	22	NS-101A	2/2
2	850	1654	16/32	NS-103A	1/1
3	455	1654	16/32	NS-104A	1/1
4	1880	30	25		2/2
5	1980	70	27		2/2
6	285	70	27		2/2
7	686	2000	20		2/2

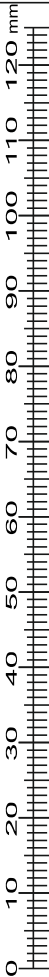
## LOZ\_140

Element symbol	Dimensions			Code	Package
	200	2000	22		
1	200	2000	22	NS-101A	2/2
2	850	1454	16/32	NS-130A	1/1
3	455	1454	16/32	NS-131A	1/1
4	1880	30	25		2/2
5	1980	70	27		2/2
6	285	70	27		2/2
7	686	2000	20		2/2

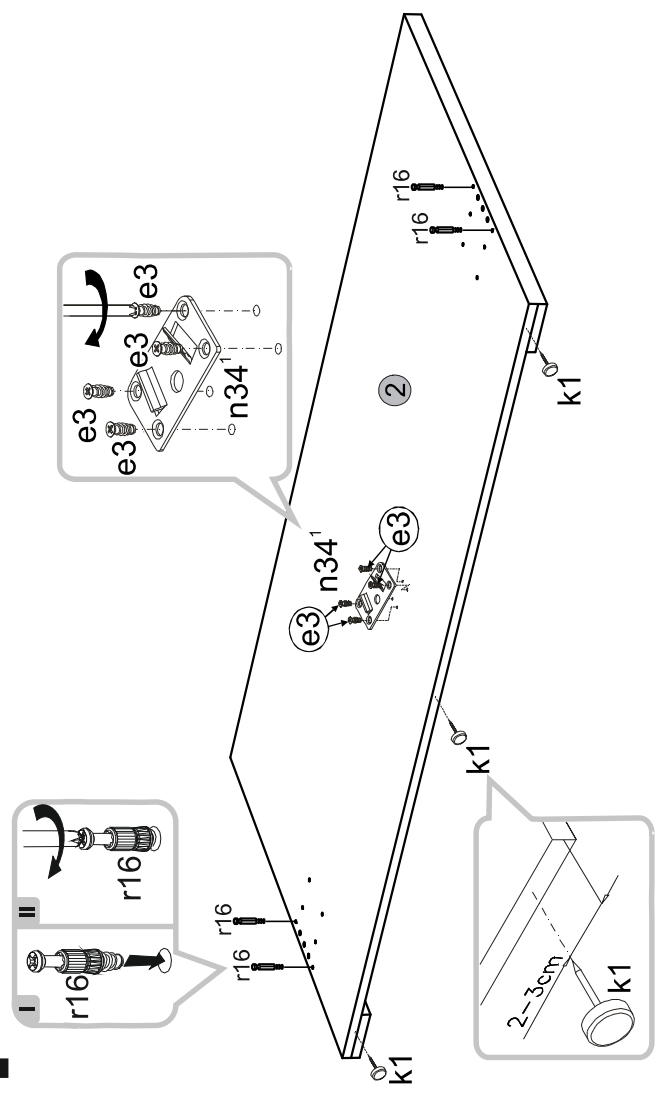
## LOZ\_120

Element symbol	Dimensions			Code	Package
	200	2000	22		
1	200	2000	22	NS-101A	2/2
2	850	1254	16/32	NS-132A	1/1
3	455	1254	16/32	NS-133A	1/1
4	1880	30	25		2/2
5	1980	70	27		2/2
6	285	70	27		2/2
7	686	2000	20		2/2

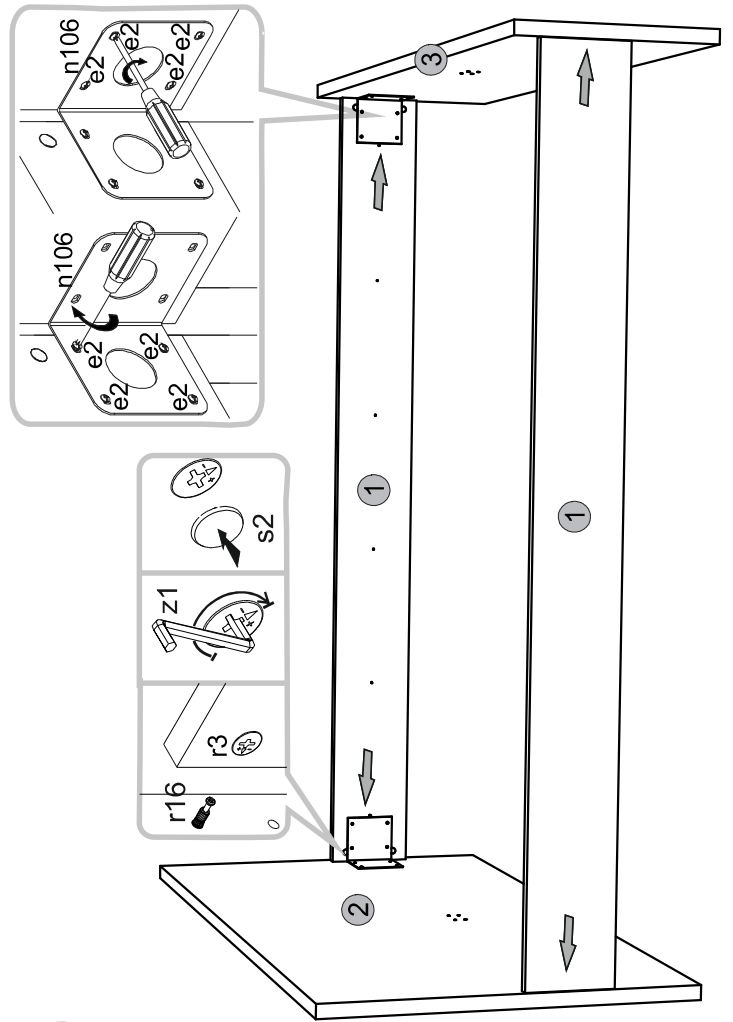
12x	12x	8x	8x	8x	8x	8x
p62	p21	s2	s2	r16	r3	r16
4x	8x	1x	1x	2x	2x	2x
n106	e3	z1	z1	p36	p36	e27
12x	32x	2x	2x	6x	6x	2x
f1	e2	n34	n34	k1	k1	n34



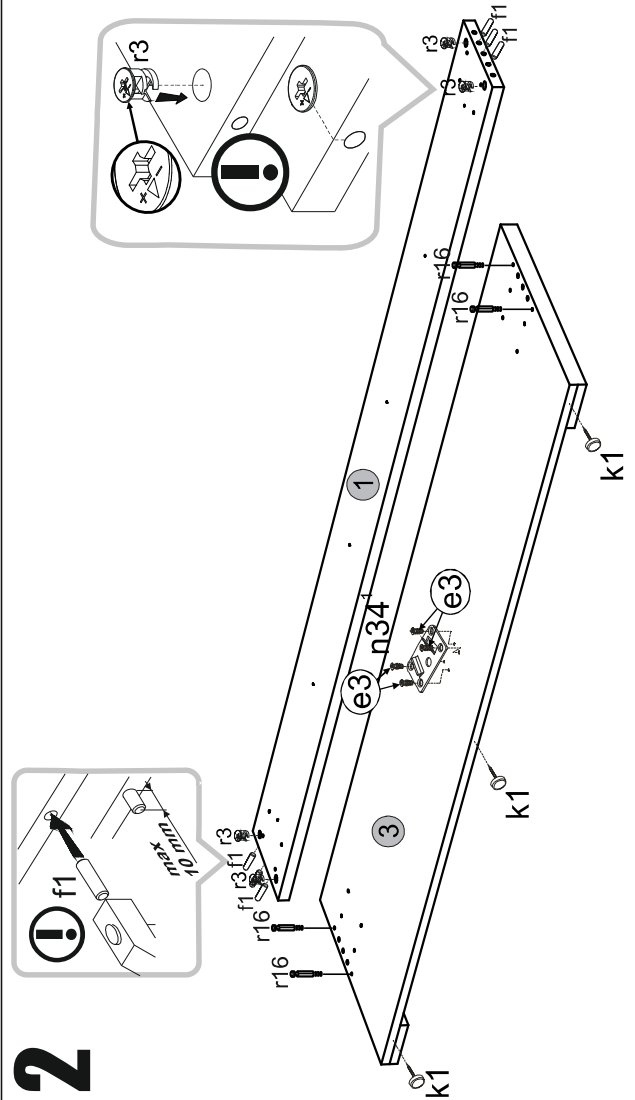
1



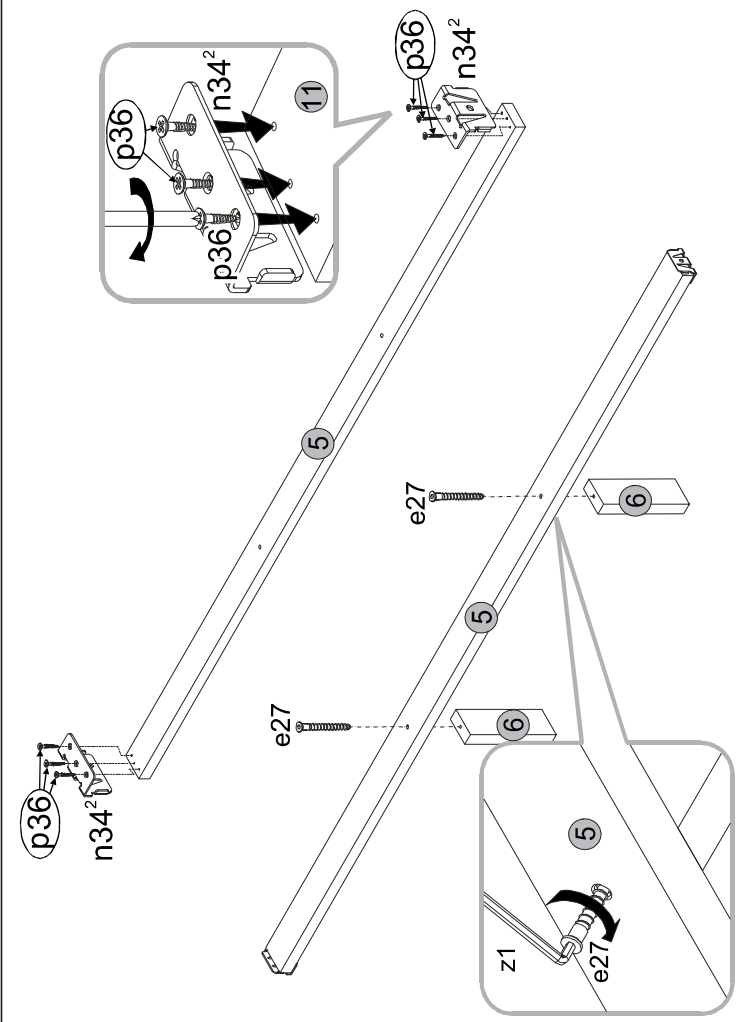
3

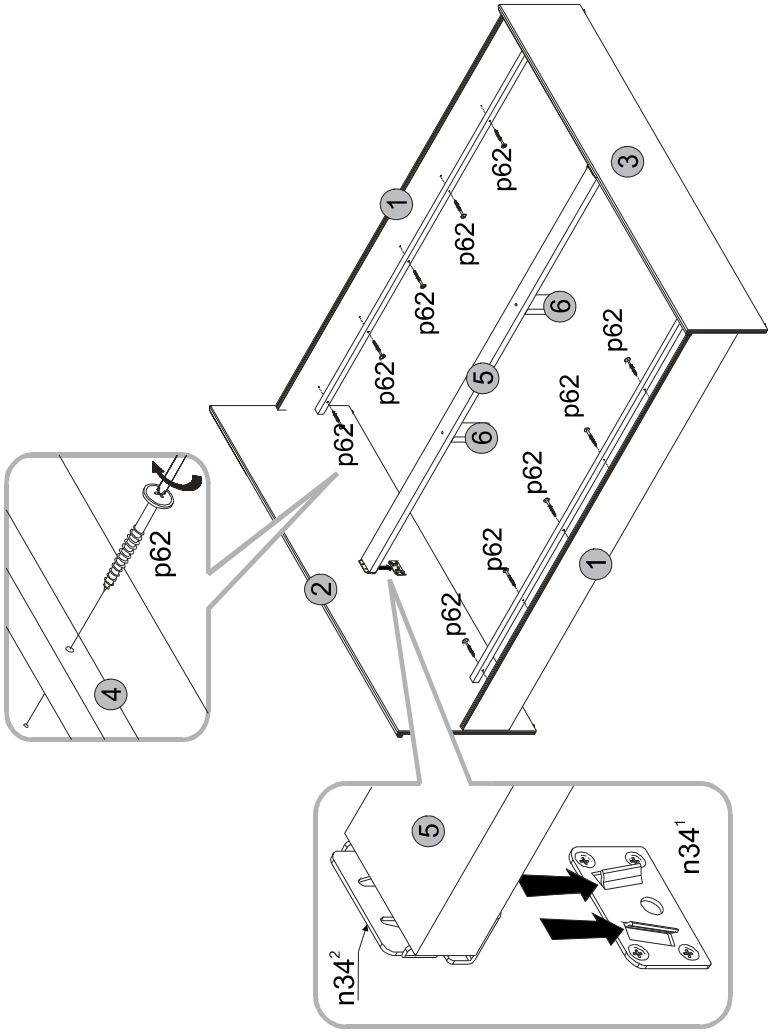


2

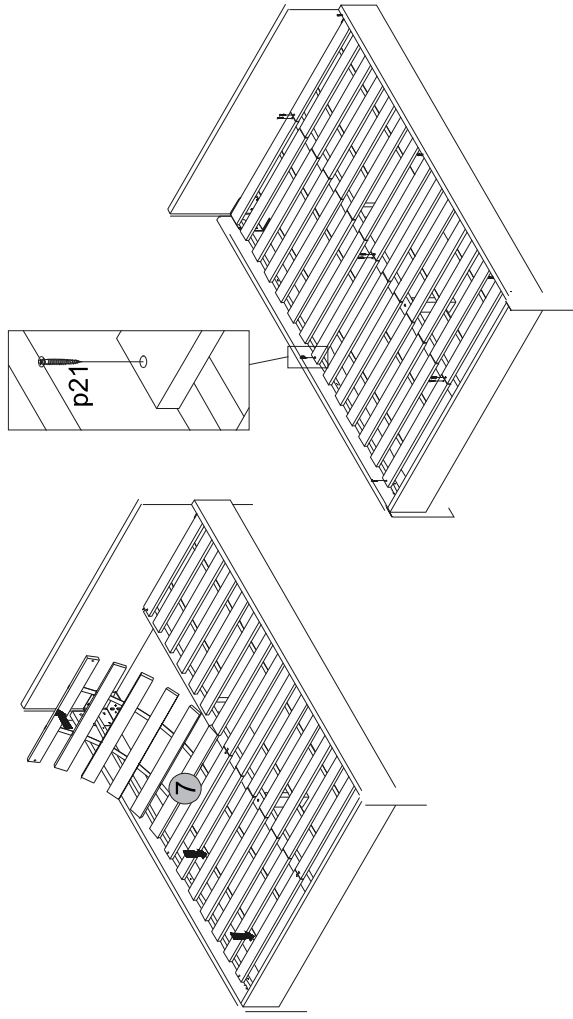


4





5



6